



Illustrated Parts List

Model Series

205300

TYPE NUMBERS
0035 through 1549.

TABLE OF CONTENTS

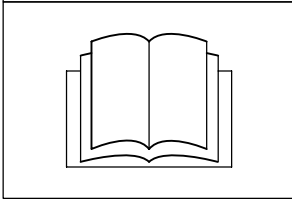
Air Cleaner	5
Alternator	10
Blower Housing/Shrouds	7
Camshaft	2
Carburetor	4
Controls	8
Crankcase Cover	2
Crankshaft	2
Cylinder	2
Cylinder Head	3
Electric Starter	9
Exhaust System	6
Flywheel	7
Fuel Supply	8
Gasket Set - Engine	3
Gasket Set - Valve	3
Gear Reduction	9
Governor Spring	8
Ignition	10
Kit-Carburetor Overhaul	4
Lubrication	2
Operator's Manual	2
Piston/Rings/Connecting Rod	2
Rewind Starter	7
Valves	3
Warning Label	2

PRINTED IN U.S.A.



COPYRIGHT by BRIGGS & STRATTON CORPORATION
All rights reserved. No part of this material may be reproduced or transmitted, in any form or by any means, electronic or mechanical, including photocopying, recording or by any information storage and retrieval system, without permission in writing from Briggs & Stratton Corporation.

1058 OPERATOR'S MANUAL

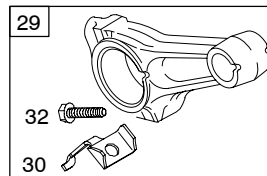
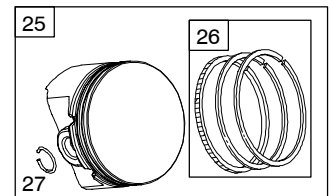
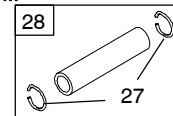
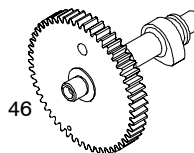
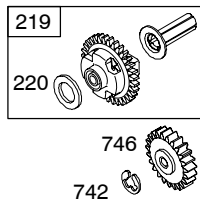
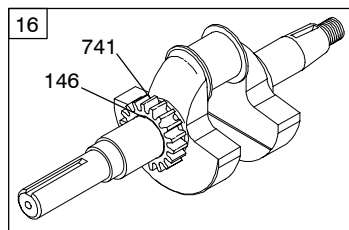
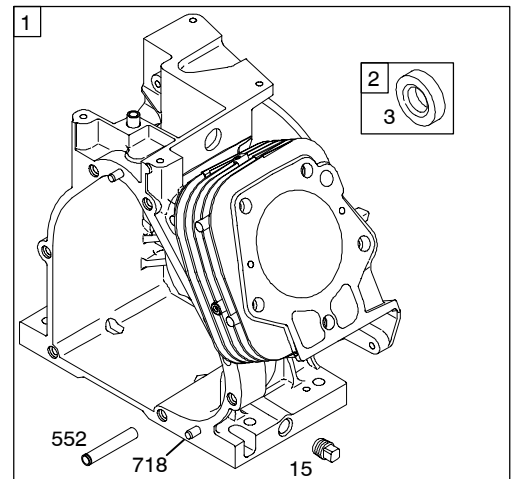
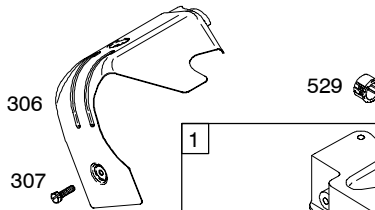
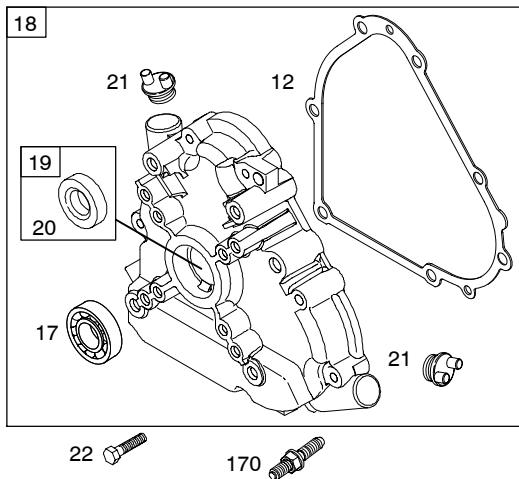
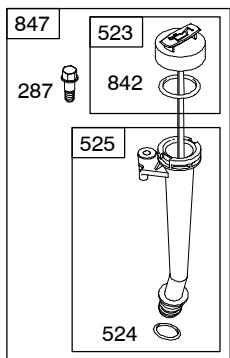
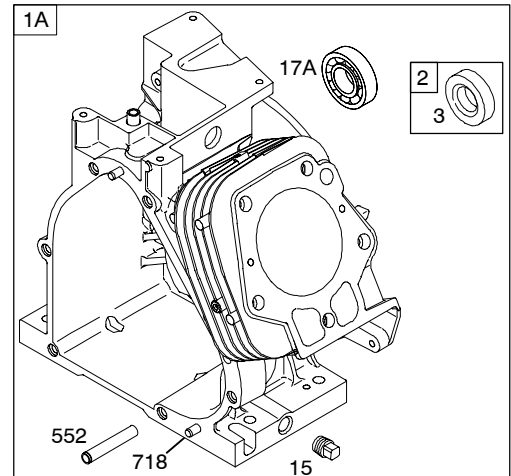


1319 WARNING LABEL

WARNING

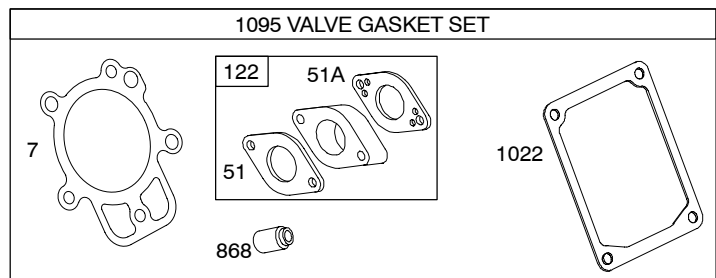
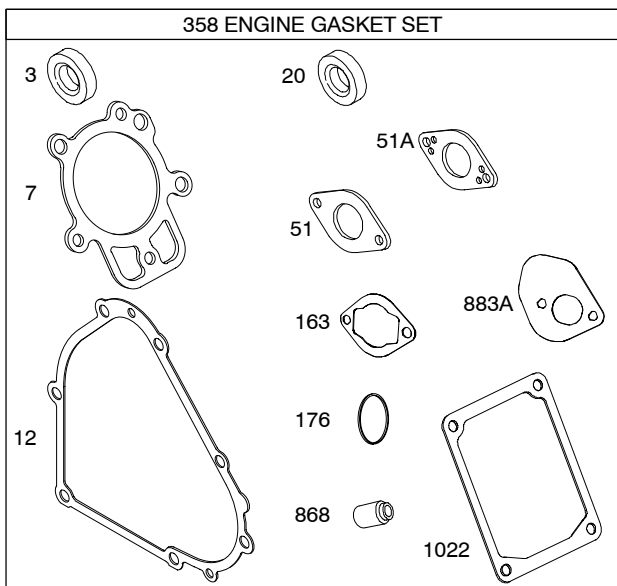
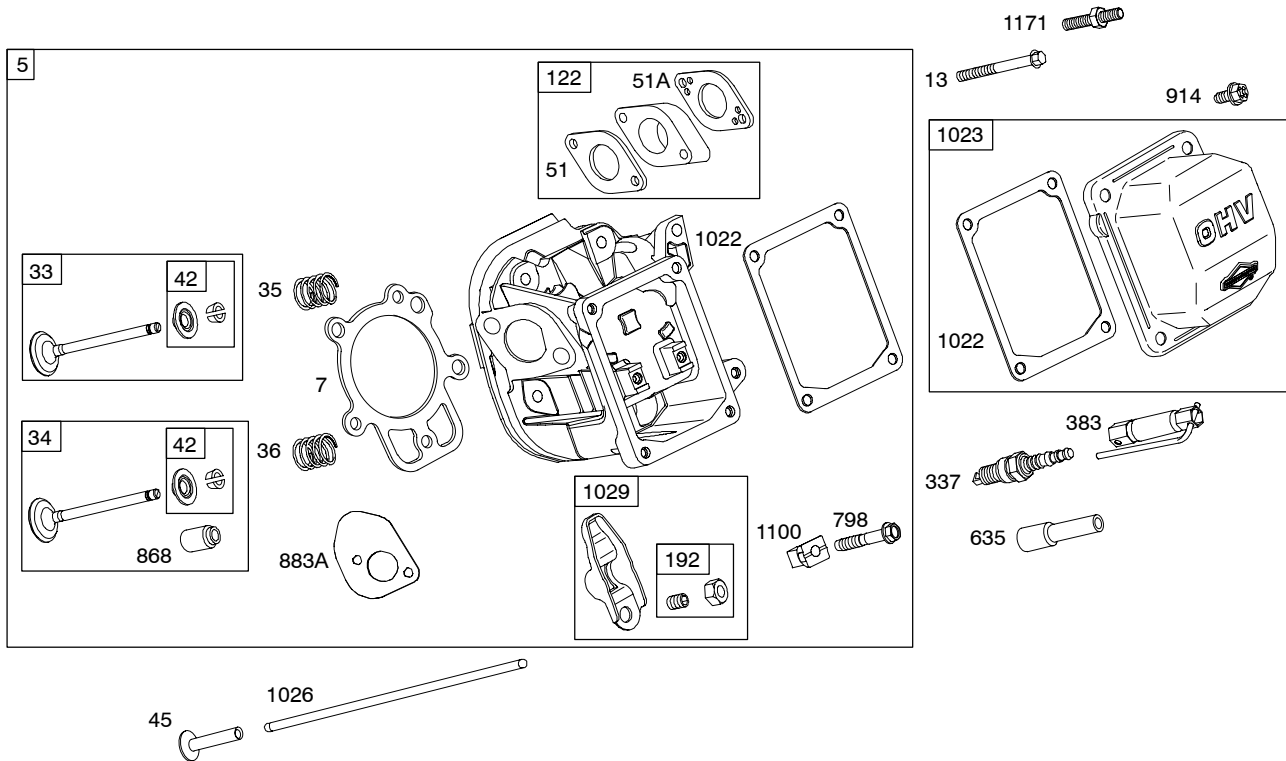
- Read and follow Operating Instructions before running engine.
- Gasoline is flammable. Allow engine to cool at least 2 minutes before refueling.
- Engines emit carbon monoxide, DO NOT run in enclosed area.
- Muffler area temperature may exceed 150°F. Do not touch hot parts.

REQUIRED when replacing parts with warning labels affixed.

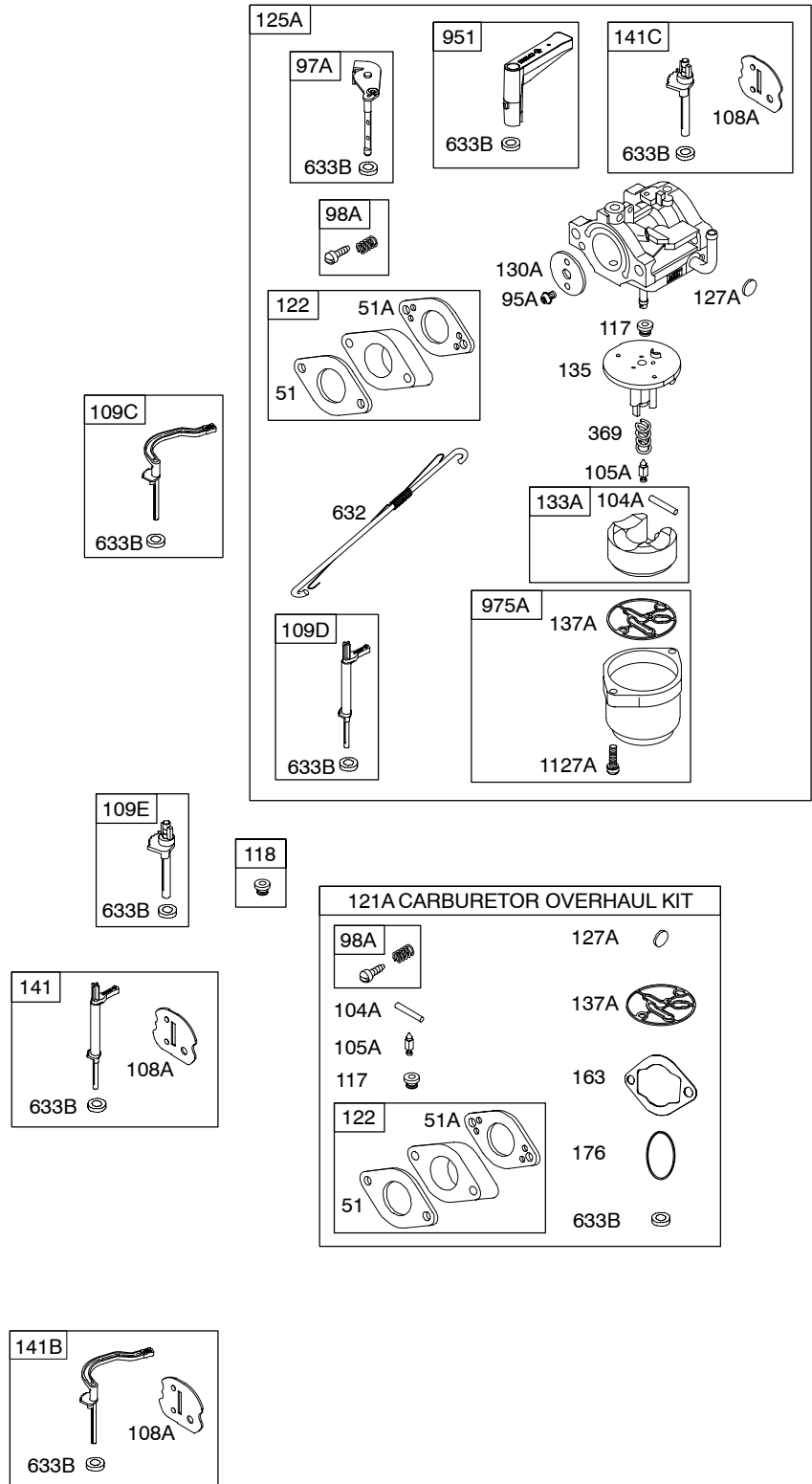


718A

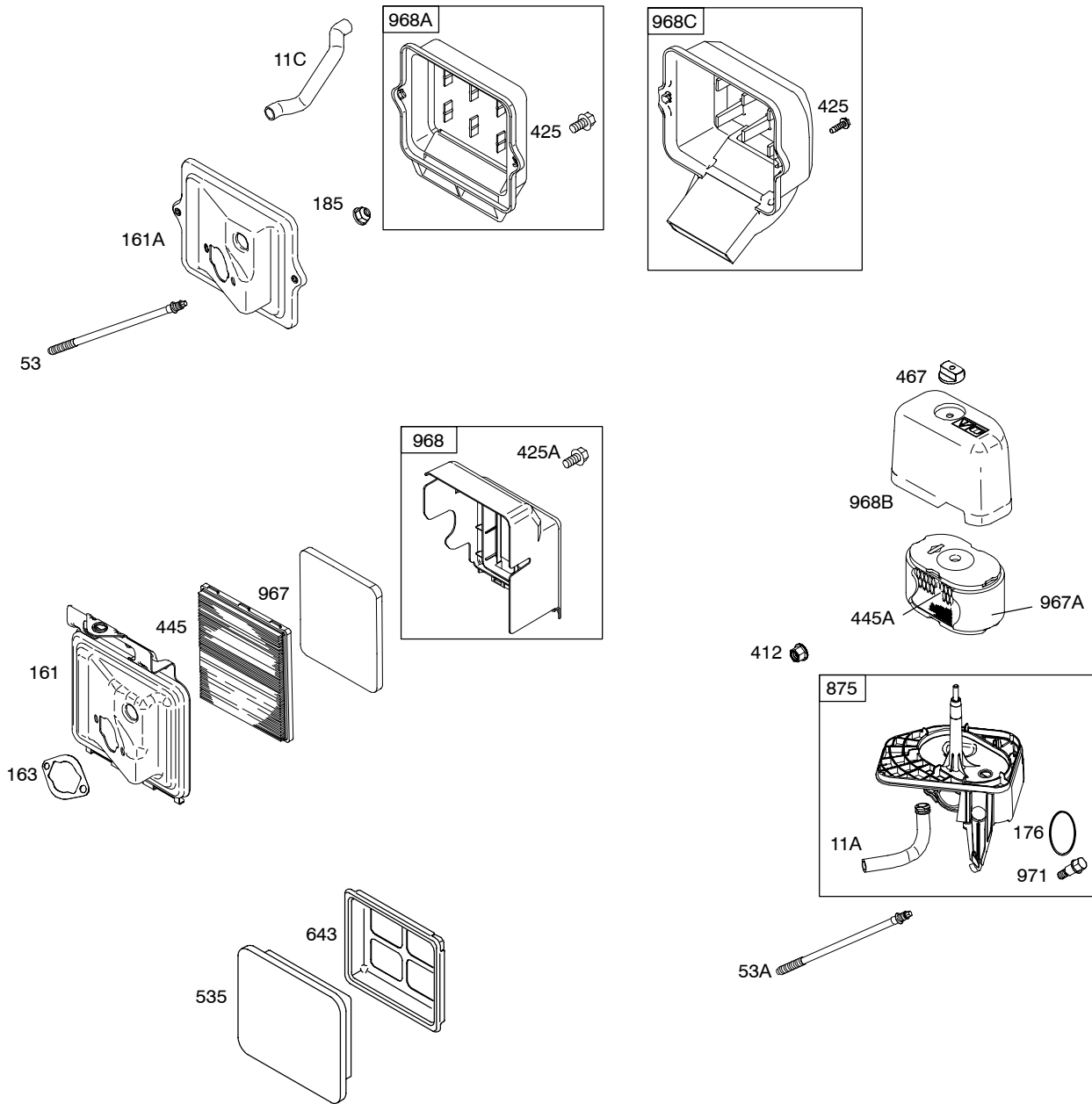
Illustrations cover a range of engines. Parts shown without corresponding text may not be used on your specific engine.



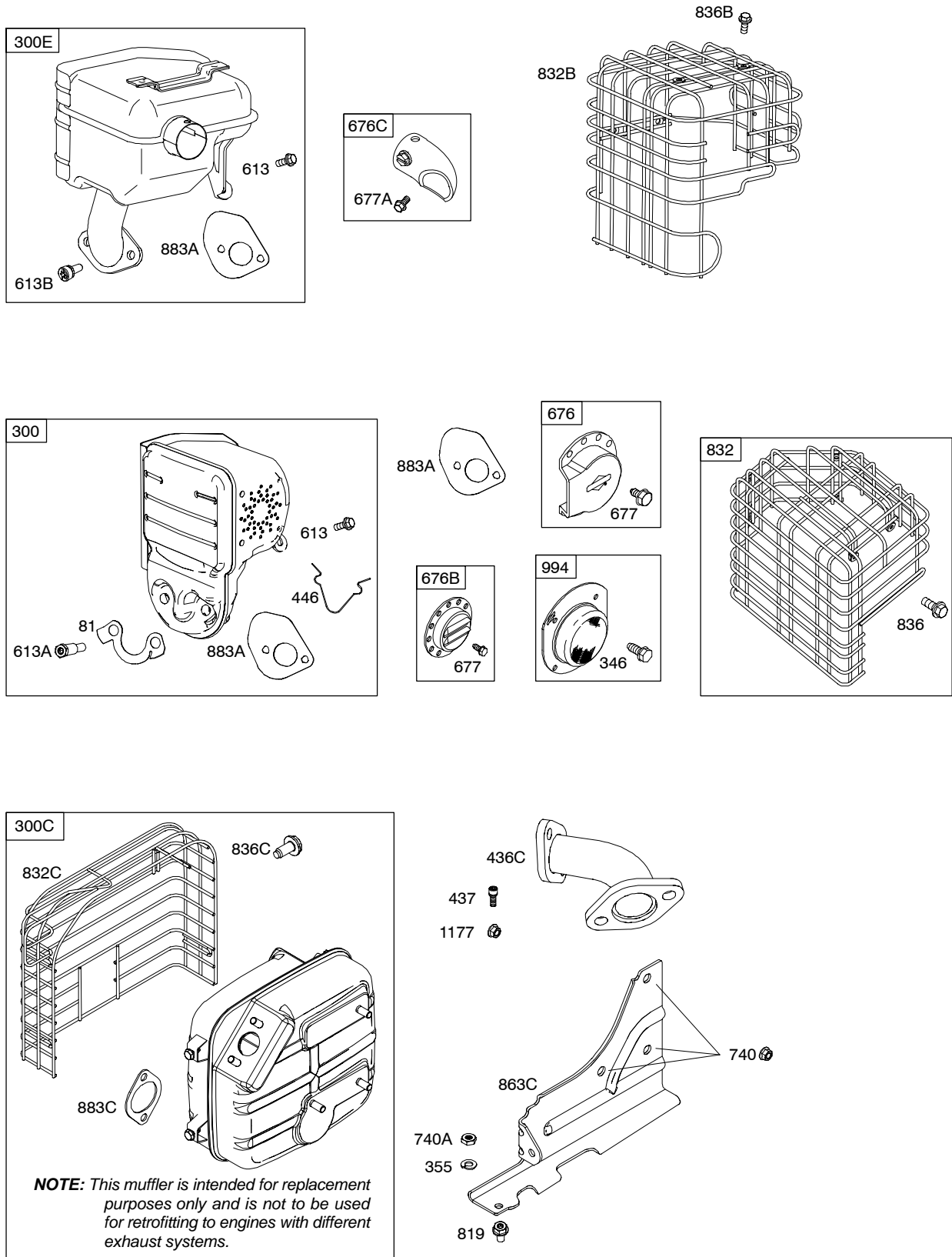
Illustrations cover a range of engines. Parts shown without corresponding text may not be used on your specific engine.



Illustrations cover a range of engines. Parts shown without corresponding text may not be used on your specific engine.
3986-4 Assemblies include all parts shown in frames. 03/14/2008

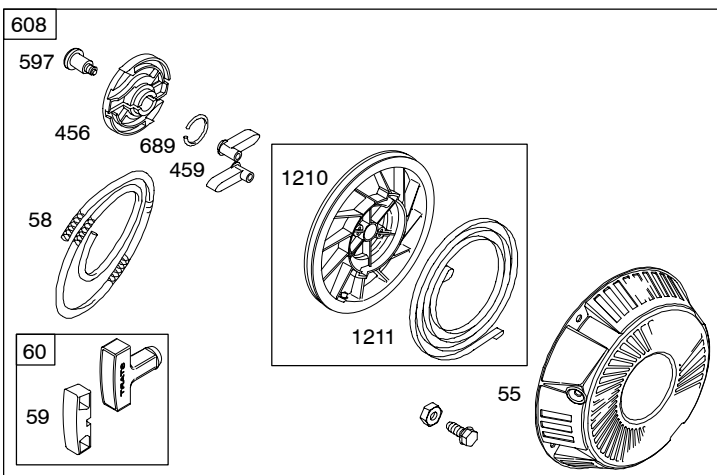
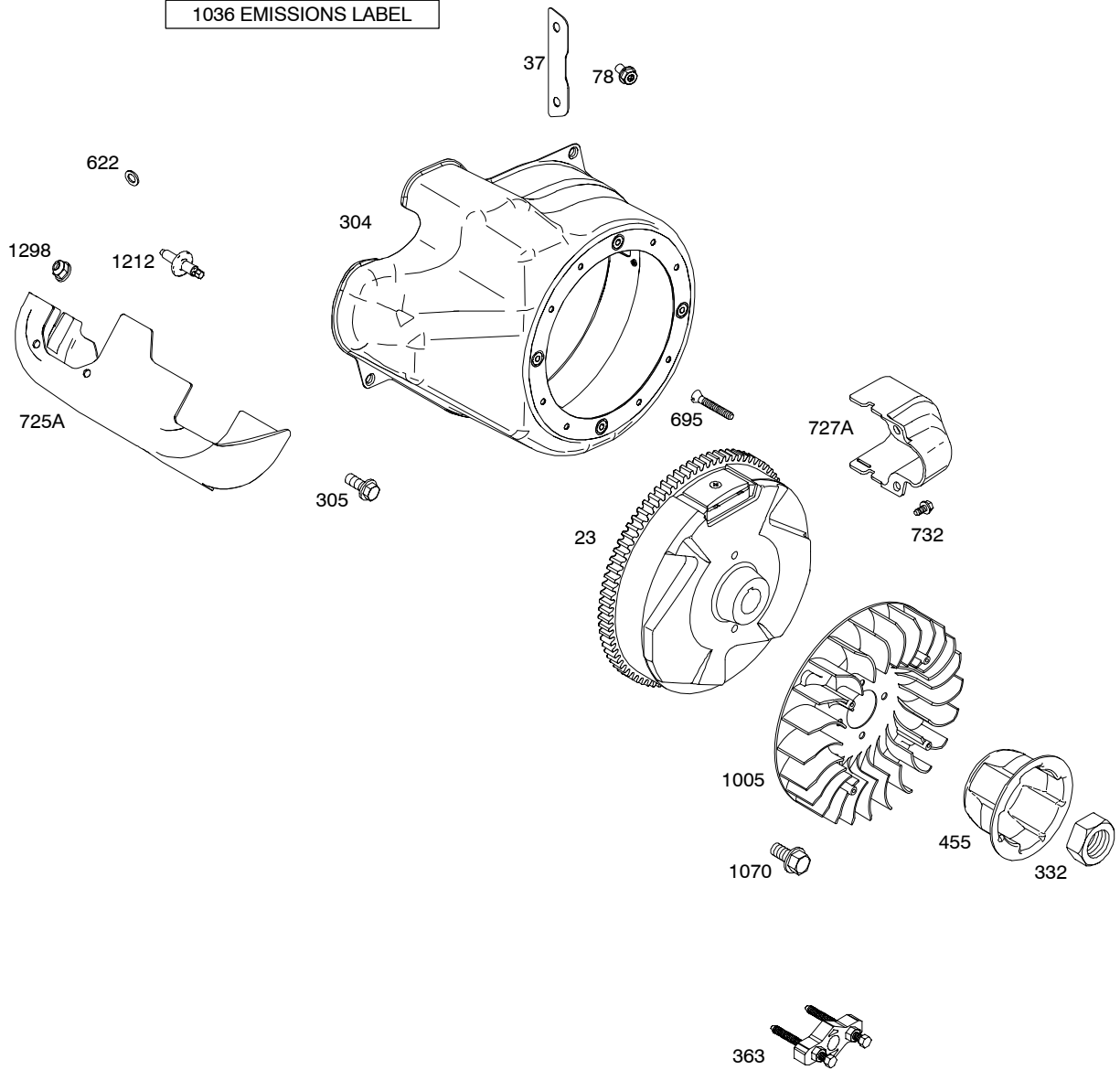


Illustrations cover a range of engines. Parts shown without corresponding text may not be used on your specific engine.
 3986-5 Assemblies include all parts shown in frames. 03/14/2008



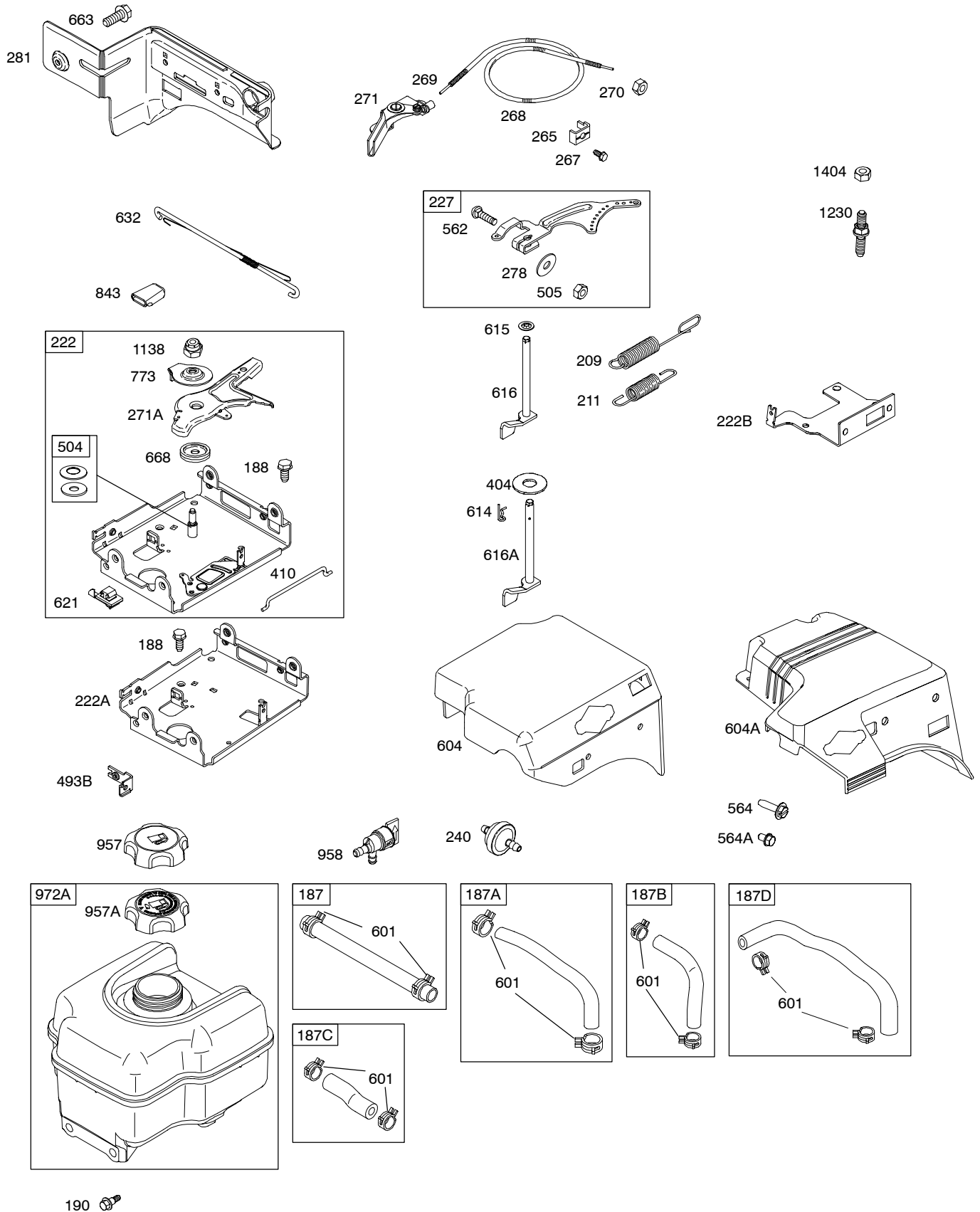
Illustrations cover a range of engines. Parts shown without corresponding text may not be used on your specific engine.

1036 EMISSIONS LABEL



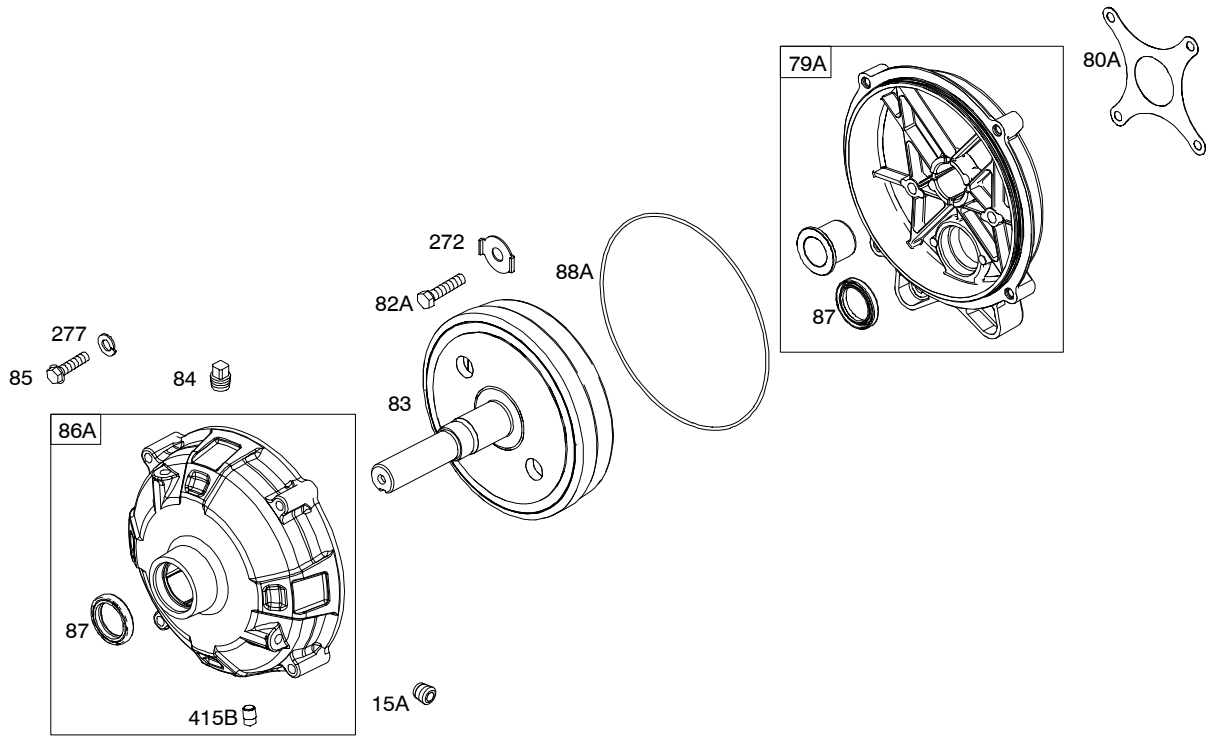
Illustrations cover a range of engines. Parts shown without corresponding text may not be used on your specific engine.
 3986-7 Assemblies include all parts shown in frames.

205300

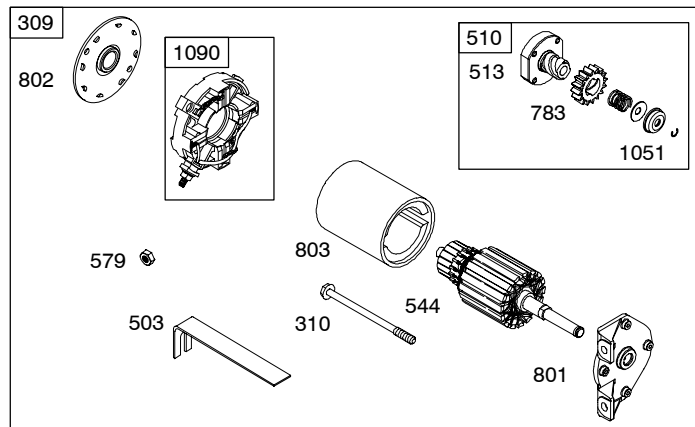


Illustrations cover a range of engines. Parts shown without corresponding text may not be used on your specific engine.
 3986-8 Assemblies include all parts shown in frames.

03/14/2008



697



Illustrations cover a range of engines. Parts shown without corresponding text may not be used on your specific engine.

DC ONLY	10 - 16 AMP
474A	474D
578	578
	526 501

NOTE: All stators use a No. 1119 mounting screw.

NOTE: The proper flywheel part number and/or the alternator magnet size will determine the alternator type or output. See repair instruction manual for additional information.

1046

347

347A

364A

774

356

356A

356B

356C

356D

356E

356H

356J

356K

356L

1052A

697

799

334

851

286

Illustrations cover a range of engines. Parts shown without corresponding text may not be used on your specific engine.

REF. NO.	PART NO.	DESCRIPTION	REF. NO.	PART NO.	DESCRIPTION	REF. NO.	PART NO.	DESCRIPTION
1	794849	Cylinder Assembly		794718	Crankshaft	19	698340	Kit-Bushing/Seal (PTO Side)
1A	794851	Cylinder Assembly Used on Type No(s). 0172, 0173, 0241.			Used on Type No(s). 0118, 0140, 0172, 0178, 0194, 0205, 0208, 0214, 0215, 0217, 0241, 0309, 0313, 0538, 1163, 1174, 1191, 1207, 1211, 1232, 1313.	20	★391086S	Seal-Oil (PTO Side)
2	698340	Kit-Bushing/Seal (Magneto Side)				21	281658S	Cap-Oil Fill
3	★391086S	Seal-Oil (Magneto Side)				22	794825	Screw (Crankcase Cover/Sump)
5	794870	Head-Cylinder		794721	Crankshaft	23	794814	Flywheel
7	★△694872	Gasket-Cylinder Head			Used on Type No(s). 0049, 0122, 0195, 0197, 0212, 0281, 0310, 0311, 0315, 0549, 0550, 1049, 1050, 1195, 1549.			----- Note -----
11A	695305	Tube-Breather Used on Type No(s). 0113, 0118, 0119, 0120, 0122, 0123, 0197, 0213, 0218, 0229, 0281, 0303, 0304, 0305, 0307, 0310, 0311, 0313, 0314, 0315.						794812 Flywheel Used on Type No(s). 0041, 0120, 0150, 0169, 0172, 0197, 0204, 0210, 0216, 0218, 0229, 0302, 0303, 0311, 0312, 0533, 0541, 0542, 0550, 1041, 1050, 1172, 1174, 1185, 1198, 1313.
11C	696796	Tube-Breather				24	222698S	Key-Flywheel
12	★694953	Gasket-Crankcase				25	792117	Piston Assembly (Standard)
13	794829	Screw (Cylinder Head)						----- Note -----
15	691686	Plug-Oil Drain						792144 Piston Assembly (.020" Oversize)
15A	691682	Plug-Oil Drain						
16	794716	Crankshaft Used on Type No(s). 0036, 0041, 0100, 0113, 0123, 0129, 0133, 0136, 0145, 0150, 0161, 0164, 0169, 0202, 0204, 0209, 0210, 0216, 0219, 0229, 0236, 0279, 0302, 0312, 0536, 0541, 1036, 1041, 1105, 1164, 1185, 1199, 1200, 1201.	17	695434	Bearing-Ball			
		----- Note -----	17A	691069	Bearing-Ball			
		794717 Crankshaft Used on Type No(s). 0115, 0119, 0120, 0141, 0168, 0173, 0203, 0213, 0218, 0280, 0299, 0303, 0304, 0306, 0314, 0537, 0542, 1171, 1172, 1183, 1197, 1198.	18	791412	Cover-Crankcase			
					----- Note -----	26	792026	Ring Set (Standard)
								----- Note -----
								792073 Ring Set (.020" Oversize)
						27	690975	Lock-Piston Pin
						28	696581	Pin-Piston
						29	694691	Rod-Connecting
						30	694692	Dipper-Connecting Rod
						32	690976	Screw (Connecting Rod)
						33	499596	Valve-Exhaust
						34	792200	Valve-Intake
						35	694865	Spring-Valve (Intake)
						36	694865	Spring-Valve (Exhaust)
						37	790730	Guard-Flywheel
						42	499586	Keeper-Valve
						45	690977	Tappet-Valve

★ Included in Engine Gasket Set-Ref. No. 358.

△ Included in Valve Gasket Set-Ref. No. 1095.

● Included in Carburetor Overhaul Kit-Ref. No. 121A.

Illustrations cover a range of engines. Parts shown without corresponding text may not be used on your specific engine.

205300

REF. NO.	PART NO.	DESCRIPTION	REF. NO.	PART NO.	DESCRIPTION	REF. NO.	PART NO.	DESCRIPTION
46	795697	Camshaft (Used After Code Date 08010100). ----- Note ----- 790958 Camshaft (Used Before Code Date 08010200).	83	690387	Shaft-Auxiliary Drive	122	● 694876	Spacer-Carburetor
			84	691121	Plug-Breather	125A	699966	Carburetor
			85	794820	Screw (Gear Cover to Gear Reduction Case)			----- Note ----- 695920 Carburetor Used on Type No(s). 0113, 0118, 0119, 0120, 0122, 0123, 0197, 0213, 0218, 0229, 0281, 0303, 0304, 0305, 0307, 0310, 0311, 0313, 0314, 0315, 0542.
51	★ 694874	Gasket-Intake	86A	793591	Cover-Gear Used on Type No(s). 0049, 0122, 0195, 0197, 0212, 0281, 0310, 0311, 0315, 0549, 0550, 1049, 1050, 1195, 1549.	127A	● 690727	Plug-Welch
51A	★ 694875	Gasket-Intake	87	391086S	Seal-Gear Reduction	130A	696139	Valve-Throttle
53	794830	Stud (Carburetor)	88A	793589	Gasket-Gear Reduction Cover Used on Type No(s). 0049, 0122, 0195, 0197, 0212, 0281, 0310, 0311, 0315, 0549, 0550, 1049, 1050, 1195, 1549.	133A	694914	Float-Carburetor
53A	794831	Stud (Carburetor)				135	696142	Tube-Fuel Transfer
55	695288	Housing-Rewind Starter	95A	690718	Screw (Throttle Valve)	137A	● 695426	Gasket-Float Bowl
58	693389	Rope-Starter (Cut To Required Length)	97A	696387	Shaft-Throttle	141	696145	Kit-Choke Shaft
59	805957	Insert-Grip	98A	● 695408	Kit-Idle Speed	141B	696144	Kit-Choke Shaft Used on Type No(s). 0113, 0118, 0119, 0120, 0122, 0123, 0197, 0213, 0218, 0229, 0281, 0303, 0304, 0305, 0307, 0310, 0311, 0313, 0314, 0315, 0542.
60	490652	Grip-Starter Rope	104A	● 694918	Pin-Float Hinge	141C	699979	Kit-Choke Shaft
65	699228	Screw (Rewind Starter)	105A	● 696136	Valve-Float Needle	146	690979	Key-Timing
78	795026	Screw (Flywheel Guard)	108A	696143	Valve-Choke	161	794768	Base-Air Cleaner (Metal)
79A	794816	Case-Gear Reduction Used on Type No(s). 0049, 0122, 0195, 0197, 0212, 0281, 0310, 0311, 0315, 0549, 0550, 1049, 1050, 1195, 1549.	109C	790148	Shaft-Choke Used on Type No(s). 0113, 0118, 0119, 0120, 0122, 0123, 0197, 0213, 0218, 0229, 0281, 0303, 0304, 0305, 0307, 0310, 0311, 0313, 0314, 0315, 0542.	161A	794767	Base-Air Cleaner (Metal) Used on Type No(s). 0115, 0140, 0172, 0178, 0194, 0205, 0212, 0214, 0215, 0216, 0217, 0229, 0280, 0538, 1207, 1232.
80A	793588	Gasket-Gear Case Used on Type No(s). 0049, 0122, 0195, 0197, 0212, 0281, 0310, 0311, 0315, 0549, 0550, 1049, 1050, 1195, 1549.	109D	790149	Shaft-Choke	163	★ 692277	Gasket-Air Cleaner
81	794817	Lock-Muffler Screw	109E	696735	Shaft-Choke	170	794833	Stud (Crankcase Cover/Sump)
82A	690287	Screw (Gear Reduction Case) Used on Type No(s). 0049, 0122, 0195, 0197, 0212, 0281, 0310, 0311, 0315, 0549, 0550, 1049, 1050, 1195, 1549.	117	● 696134	Jet-Main (Standard)			
			118	696135	Jet-Main (High Altitude)			
			121A	696146	Kit-Carburetor Overhaul (Nikki Carburetor)			

★ Included in Engine Gasket Set-Ref. No. 358.

△ Included in Valve Gasket Set-Ref. No. 1095.

● Included in Carburetor Overhaul Kit-Ref. No. 121A.

Illustrations cover a range of engines. Parts shown without corresponding text may not be used on your specific engine.

REF. NO.	PART NO.	DESCRIPTION	REF. NO.	PART NO.	DESCRIPTION	REF. NO.	PART NO.	DESCRIPTION
176	691876	Seal-O Ring (Air Cleaner Base) ----- Note ----- ★●691917 Seal-O Ring (Air Cleaner Base) Used on Type No(s). 0113, 0118, 0119, 0120, 0122, 0123, 0197, 0213, 0218, 0229, 0281, 0303, 0304, 0305, 0307, 0310, 0311, 0313, 0314, 0315.	222	794799	Bracket-Control	287	699629	Screw (Dipstick Tube)
			222A	794801	Bracket-Control Used on Type No(s). 0140, 0165, 0178, 0208, 0212, 0214, 0215, 0309, 0538, 1163, 1165, 1174, 1191, 1207, 1211, 1232, 1313.	300	794806	Muffler ----- Note ----- 794946 Muffler Used on Type No(s). 1191.
185	794834	Nut (Air Cleaner Base)	222B	794804	Bracket-Control Used on Type No(s). 0172, 0194, 0205, 0217, 0241.	300C	793701	Muffler (This muffler is intended for replacement purposes only and is not to be used for retrofitting to engines with different exhaust systems)
187	791766	Line-Fuel (15 Inches Long) (Cut To Required Length)	227	694864	Lever-Governor Control	300E	794949	Muffler Used on Type No(s). 0195, 0197, 0219, 0314, 0315.
187A	791869	Line-Fuel	240	394358S	Filter-Fuel ----- Note ----- 298090S Filter-Fuel Used on Type No(s). 0118, 0172.	304	795699	Housing-Blower (Used After Code Date 08010600). ----- Note ----- 791478 Housing- Blower (Used Before Code Date 08010700).
187B	791834	Line-Fuel	265	691024	Clamp-Casing	305	699481	Screw (Blower Housing)
187C	791871	Line-Fuel	267	699492	Screw (Casing Clamp)	306	697240	Shield-Cylinder
187D	791879	Line-Fuel	268	691025	Casing-Control Wire (Cut To Required Length)	307	794822	Screw (Cylinder Shield)
188	699479	Screw (Control Bracket)	269	691026	Wire-Control (Cut To Required Length)	309	695479	Motor-Starter
190	699220	Screw (Fuel Tank)	270	691027	Nut (Control Wire Casing)	310	690323	Screw (Starter Motor)
192	690083	Adjuster-Rocker Arm	271	691028	Lever-Control	332	794824	Nut (Flywheel)
209	694867	Spring-Governor ----- Note ----- 695491 Spring- Governor Used on Type No(s). 0165, 0212, 1165. 696638 Spring- Governor Used on Type No(s). 0115, 0129, 0141, 0209, 0210, 0280, 1232.	271A	695381	Lever-Control	333	492341	Armature-Magneto
			272	691168	Lock-Screw Head	334	699477	Screw (Magneto Armature)
			277	794842	Washer (Gear Case To Gear Reduction)			
			278	792008	Washer (Governor Control Lever)			
211	695307	Spring-Governed Idle	281	697268	Panel-Control			
219	693578	Gear-Governor	286	793696	Module-Oil Sensor ----- Note ----- 793697 Module-Oil Sensor Used on Type No(s). 0168, 0306.			
220	691724	Washer (Governor Gear)						

★ Included in Engine Gasket Set-Ref. No. 358.

△ Included in Valve Gasket Set-Ref. No. 1095.

● Included in Carburetor Overhaul Kit-Ref. No. 121A.

Illustrations cover a range of engines. Parts shown without corresponding text may not be used on your specific engine.

205300

REF. NO.	PART NO.	DESCRIPTION	REF. NO.	PART NO.	DESCRIPTION	REF. NO.	PART NO.	DESCRIPTION
337	491055S	Plug-Spark ----- Note ----- 691043 Plug-Spark Used on Type No(s). 0115, 0123, 0141, 0164, 0165, 0166, 0195, 0196, 0314, 0315, 0533, 0535, 0536, 0537, 0538, 0541, 0542, 0549, 0550, 0563, 1105, 1163, 1164, 1165, 1166, 1174, 1183, 1185, 1191, 1195, 1196, 1199, 1200, 1201, 1207, 1211, 1313, 1549. 792015 Plug-Spark Used on Type No(s). 0219, 0280.	363	19203	Puller-Flywheel	493A	691177	Bracket-Mounting (Oil Sensor)
			364A	699947	Terminal-Oil Plug	493B	794782	Bracket-Mounting (Oil Sensor)
			369	695422	Spring-Float Bowl	500A	792613	Washer (Key Switch)
			383	19374S	Wrench-Spark Plug	501	691185	Regulator
			404	795759	Washer (Governor Crank)	503	691532	Strap-Starter
			410	695382	Link-Control	504	695383	Washer Set-Friction
			412	794834	Nut (Air Cleaner Cover)	505	691251	Nut (Governor Control Lever)
			415	691363	Plug	510	693699	Drive-Starter
			415B	690283	Plug	513	692024	Clutch-Drive
			415C	693463	Plug Used on Type No(s). 0241.	522	697689	Plug-Dipstick/Fill Used on Type No(s). 0118, 0119, 0120, 0122, 0123, 0178, 0194, 0214, 0229, 0313.
			425	794836	Screw (Air Cleaner Cover)	523	695344	Dipstick
			425A	794835	Screw (Air Cleaner Cover)	524	691876	Seal-Dipstick Tube
			436C	792374	Manifold-Exhaust	525	695343	Tube-Dipstick
			437	794844	Screw (Exhaust Manifold)	526	690297	Screw (Regulator)
346	794845	Screw (Spark Arrestor)	445	491588S	Filter-Air Cleaner Cartridge	529	791822	Grommet
347	698338	Switch-Rocker Used on Type No(s). 0115, 0141, 0280, 0314, 0538.	445A	695302	Filter-Air Cleaner Cartridge Used on Type No(s). 0113, 0118, 0119, 0120, 0122, 0123, 0197, 0213, 0218, 0229, 0281, 0303, 0304, 0305, 0307, 0310, 0311, 0313, 0314, 0315.	535	696315	Filter-Air Cleaner Foam Used on Type No(s). 0173, 0241.
347A	697854	Switch-Rocker	446	794941	Spring-Retainer	544	692034	Armature-Starter
347B	790949	Switch-Rocker Used on Type No(s). 0041, 0120, 0169, 0172, 0197, 0210, 0218, 0302, 0303, 0311, 0541, 0542, 0550, 1041, 1050.	455	794867	Cup-Flywheel	552	694674	Bushing-Governor Crank
			456	692299	Plate-Pawl Friction	562	793216	Bolt (Governor Control Lever)
355	691075	Washer (Muffler Bracket)	459	281505S	Pawl-Ratchet	564A	699491	Screw (Control Cover)
356	692603	Wire-Stop	467	691668	Knob-Air Cleaner Used on Type No(s). 0113, 0118, 0119, 0120, 0122, 0123, 0197, 0213, 0218, 0229, 0281, 0303, 0304, 0305, 0307, 0310, 0311, 0313, 0314, 0315.	577A	690795	Cable-Starter
356A	692390	Wire-Stop	474A	695730	Alternator (3 Amps DC)	578	692306	Wire Assembly Used on Type No(s). 0204, 0210, 0216, 0229, 1185, 1313.
356B	699340	Wire-Stop	474D	695466	Alternator (10 Amp Regulator)	578A	790948	Wire Assembly
356C	695295	Wire-Stop				579	691029	Nut (Starter Cable)
356D	695366	Wire-Stop				597	691696	Screw (Pawl Friction Plate)
356E	696328	Wire-Stop						
356H	696482	Wire-Stop						
356J	699994	Wire-Stop						
356K	697397	Wire-Stop						
356L	792609	Wire-Stop						
358	695438	Gasket Set-Engine						
361A	691693	Screw (Starting Switch)						

★ Included in Engine Gasket Set-Ref. No. 358.

● Included in Carburetor Overhaul Kit-Ref. No. 121A.

△ Included in Valve Gasket Set-Ref. No. 1095.

Illustrations cover a range of engines. Parts shown without corresponding text may not be used on your specific engine.

REF. NO.	PART NO.	DESCRIPTION	REF. NO.	PART NO.	DESCRIPTION	REF. NO.	PART NO.	DESCRIPTION
601	791850	Clamp-Hose	676	795036	Deflector-Muffler	801	694482	Cap-Drive
604	699066	Cover-Control Used on Type No(s). 0118.	676B	795038	Deflector-Muffler (Louvered) Used on Type No(s). 0212.	802	691286	Cap-End
604A	791752	Cover-Control Used on Type No(s). 0172, 0194, 0205, 0217, 0241.	676C	697816	Deflector-Muffler Used on Type No(s). 0315.	803		Housing-Starter (Not Serviced Separately, Order Starter Motor 695479)
608	695287	Starter-Rewind	677	794845	Screw (Muffler Deflector)	813	690635	Clamp
613	794846	Screw (Muffler)	677A	699776	Screw (Muffler Deflector) Used on Type No(s). 0315.	819	794832	Screw (Muffler Bracket)
613A	794848	Screw (Muffler)	689	691855	Spring-Friction	832	795035	Guard-Muffler
613B	794844	Screw (Muffler)	695	698807	Screw (Ring Gear)	832B	793903	Guard-Muffler Used on Type No(s). 0195, 0197, 0219, 0314, 0315.
614	691620	Pin-Cotter (Governor Crank)	697	795026	Screw (Drive Cap)	832C	792380	Guard-Muffler
615	694676	Retainer-Governor Shaft (Governor Gear) (Used Before Code Date 08021500).	718	690959	Pin-Locating	836	794845	Screw (Muffler Guard)
616	694675	Crank-Governor (Used Before Code Date 08021500).	718A	695178	Pin-Locating (Head)	836B	699234	Screw (Muffler Guard)
616A	795758	Crank-Governor (Used After Code Date 08021400).	725A	792995	Shield-Heat Used on Type No(s). 0194, 0205, 0217.	836C	710023	Screw (Muffler Guard)
621	692310	Switch-Stop	727A	697465	Cover-Starter Drive	842	691031	Seal-O Ring (Dipstick Tube)
622	794839	Washer (Heat Shield)	732	699200	Screw (Starter Drive Cover)	843	695588	Sleeve-Lever
627A	792608	Bracket-Stops Switch	740	710090	Nut (Muffler Bracket)	847	695342	Dipstick/Tube Assembly
632	695917	Spring/Link-Mechanical Governor (Use With Nikki Carburetor)	740A	794843	Nut (Muffler Bracket)	851	692424	Terminal-Spark Plug
633B	690998	Seal-Choke/Throttle Shaft	741	691288	Gear-Timing	863C	793700	Bracket-Muffler
635	691909	Boot-Spark Plug	742	692564	Retainer-E Ring	868	690968	Seal-Valve
643	696264	Retainer-Air Filter Used on Type No(s). 0173, 0241.	746	694679	Gear-Idler	875	695304	Base-Air Cleaner (Plastic) Used on Type No(s). 0113, 0118, 0119, 0120, 0122, 0123, 0197, 0213, 0218, 0229, 0281, 0303, 0304, 0305, 0307, 0310, 0311, 0313, 0314, 0315.
663	699492	Screw (Control Panel)	773	694258	Retainer	883A	794818	Gasket-Exhaust
668	694257	Spacer (Control Bracket)	774	695447	Screw (Stop Wire)	883C	710250	Gasket-Exhaust
			783	693713	Gear-Pinion	892A	791944	Switch-Key
			798	697890	Screw (Rocker Arm)	914	794827	Screw (Rocker Cover)
			799	794937	Screw (Oil Sensor)	920	691656	Solenoid-Starter
					----- Note -----	951	699961	Lever-Choke
					699233 Screw (Oil Sensor)			

★ Included in Engine Gasket Set-Ref. No. 358.

△ Included in Valve Gasket Set-Ref. No. 1095.

● Included in Carburetor Overhaul Kit-Ref. No. 121A.

Illustrations cover a range of engines. Parts shown without corresponding text may not be used on your specific engine.

205300

REF. NO.	PART NO.	DESCRIPTION	REF. NO.	PART NO.	DESCRIPTION	REF. NO.	PART NO.	DESCRIPTION
957	795027	Cap-Fuel Tank (Plastic)	971	794837	Screw (Air Cleaner Base to Carburetor)	1090	691293	Retainer-Brush
957A	792647	Cap-Fuel Tank (Plastic) (Fresh Start)	972A	694260	Tank-Fuel (Plastic)	1095	695440	Gasket Set-Valve
958	698180	Valve-Fuel Shut Off (Plastic)	975A	696138	Bowl-Float	1100	791959	Pivot-Rocker Arm
967	491435S	Filter-Pre Cleaner	990A	695756	Key Set	1119	699772	Screw (Alternator)
967A	695303	Filter-Pre Cleaner Used on Type No(s). 0113, 0118, 0119, 0120, 0122, 0123, 0197, 0213, 0218, 0229, 0281, 0303, 0304, 0305, 0307, 0310, 0311, 0313, 0314, 0315.	1005	794815	Fan-Flywheel	1127A	695407	Screw (Float Bowl)
968	794785	Cover-Air Cleaner	1022	★△690971	Gasket-Rocker Cover	1138	694255	Nut (Control Bracket)
968A	794784	Cover-Air Cleaner Used on Type No(s). 0115, 0140, 0172, 0178, 0194, 0205, 0212, 0214, 0216, 0217, 0229, 0280, 0538, 1232.	1023	697691	Cover-Rocker	1171	794828	Stud (Rocker Cover)
968B	695301	Cover-Air Cleaner Used on Type No(s). 0113, 0118, 0119, 0120, 0122, 0123, 0197, 0213, 0218, 0229, 0281, 0303, 0304, 0305, 0307, 0310, 0311, 0313, 0314, 0315.	1026	695177	Rod-Push	1177	710090	Nut (Muffler)
968C	795337	Cover-Air Cleaner Used on Type No(s). 0215, 1207.	1029	690972	Arm-Rocker	1194	691876	Seal-O Ring (Plug)
			1036		Label-Emissions (Available From A Briggs & Stratton Authorized Dealer)	1210	498144	Pulley/Spring Assembly (Pulley)
			1046	691337	Plug-Blower Housing	1211	498144	Pulley/Spring Assembly (Spring)
			1051	691265	Ring-Retaining	1212	794841	Stud (Blower Housing)
			1052A	794805	Sensor-Oil	1230	794840	Stud (Control Bracket)
			1054	280275	Tie-Cable	1298	794838	Nut (Heat Shield)
			1058	277040	Operator's Manual	1319	794467	Label-Warning
			1070	794821	Screw (Flywheel Fan)	1404	794838	Nut (Control Cover)

★ Included in Engine Gasket Set-Ref. No. 358.

● Included in Carburetor Overhaul Kit-Ref. No. 121A.

△ Included in Valve Gasket Set-Ref. No. 1095.

Illustrations cover a range of engines. Parts shown without corresponding text may not be used on your specific engine.