

LIMITED WARRANTY

The Manufacturer warrants to the original consumer purchaser that this product as manufactured is free from defects in materials and workmanship. For a period of two (2) years from date of purchase by the original consumer purchaser, we will repair or replace, at our option, without charge for parts or labor incurred in replacing parts, any part which we find to be defective due to materials or workmanship. This Warranty is subject to the following limitations and exclusions.

1. This warranty does not apply to the engine, transaxle/transmission components, battery (except as noted below) or components parts thereof. Please refer to the applicable manufacturer's warranty on these items.
2. Transportation charges for the movement of any power equipment unit or attachment are the responsibility of the purchaser. Transportation charges for any parts submitted for replacement under this warranty must be paid by the purchaser unless such return is requested by the manufacturer.
3. Battery Warranty: On products equipped with a Battery, we will replace, without charge to you, any battery which we find to be defective in manufacture, during the first ninety (90) days of ownership. After ninety (90) days, we will exchange the Battery, charging you 1/12 of the price of a new Battery for each full month from the date of the original sale. Battery must be maintained in accordance with the instructions furnished.
4. The Warranty period for any products used for rental or commercial purposes is limited to 45 days from the date of original purchase.
5. This Warranty applies only to products which have been properly assembled, adjusted, operated, and maintained in accordance with the instructions furnished. This Warranty does not apply to any product which has been subjected to alteration, misuse, abuse, improper assembly or installation, delivery damage, or to normal wear of the product.
6. Exclusions: Excluded from this Warranty are belts, blades, blade adapters, normal wear, normal adjustments, standard hardware and normal maintenance.
7. In the event you have a claim under this Warranty, you must return the product to an authorized service dealer.

Should you have any unanswered questions concerning this Warranty, contact:

Poulan
Customer Service Department
1030 Stevens Creek Road
Augusta, GA 30907 USA

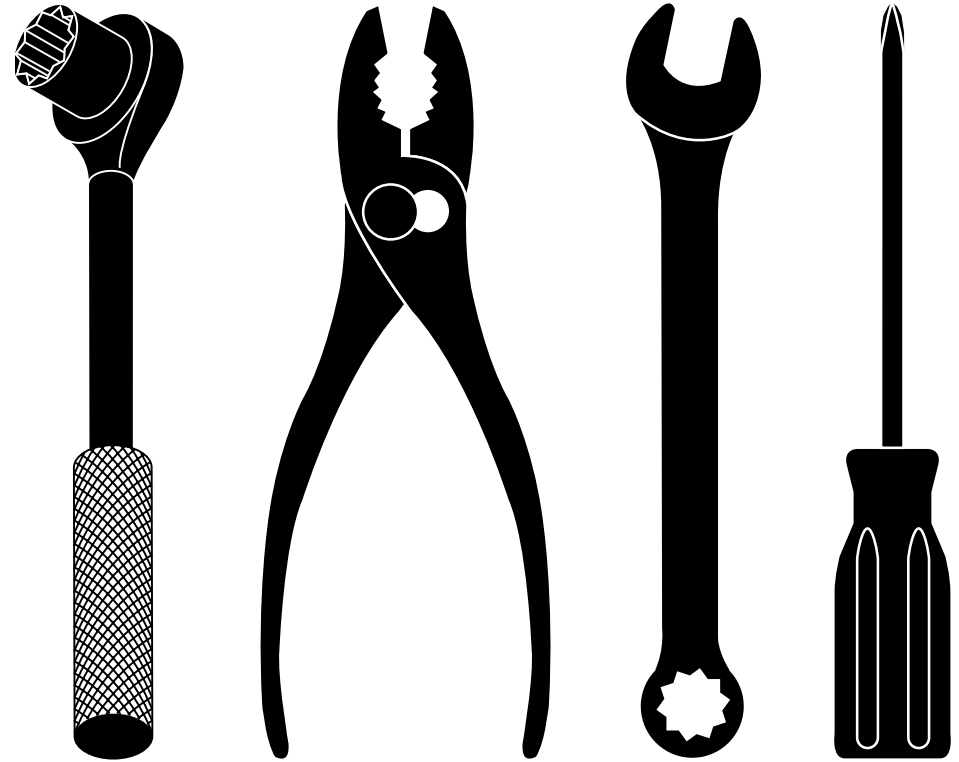
In Canada contact:
Poulan
Customer Service Department
5855 Terry Fox Way
Mississauga, Ontario L5V 3E4

giving the model number, serial number and date of purchase of your product and the name and address of the authorized dealer from whom it was purchased.

THIS WARRANTY DOES NOT APPLY TO INCIDENTAL OR CONSEQUENTIAL DAMAGES AND ANY IMPLIED WARRANTIES ARE LIMITED TO THE SAME TIME PERIODS STATED HEREIN FOR OUR EXPRESSED WARRANTIES.

Some areas do not allow the limitation of consequential damages or limitations of how long an implied Warranty may last, so the above limitations or exclusions may not apply to you. This Warranty gives you specific legal rights, and you may have other rights which vary from locale to locale.

This is a limited Warranty within the meaning of that term as defined in the Magnuson-Moss Act of 1975.

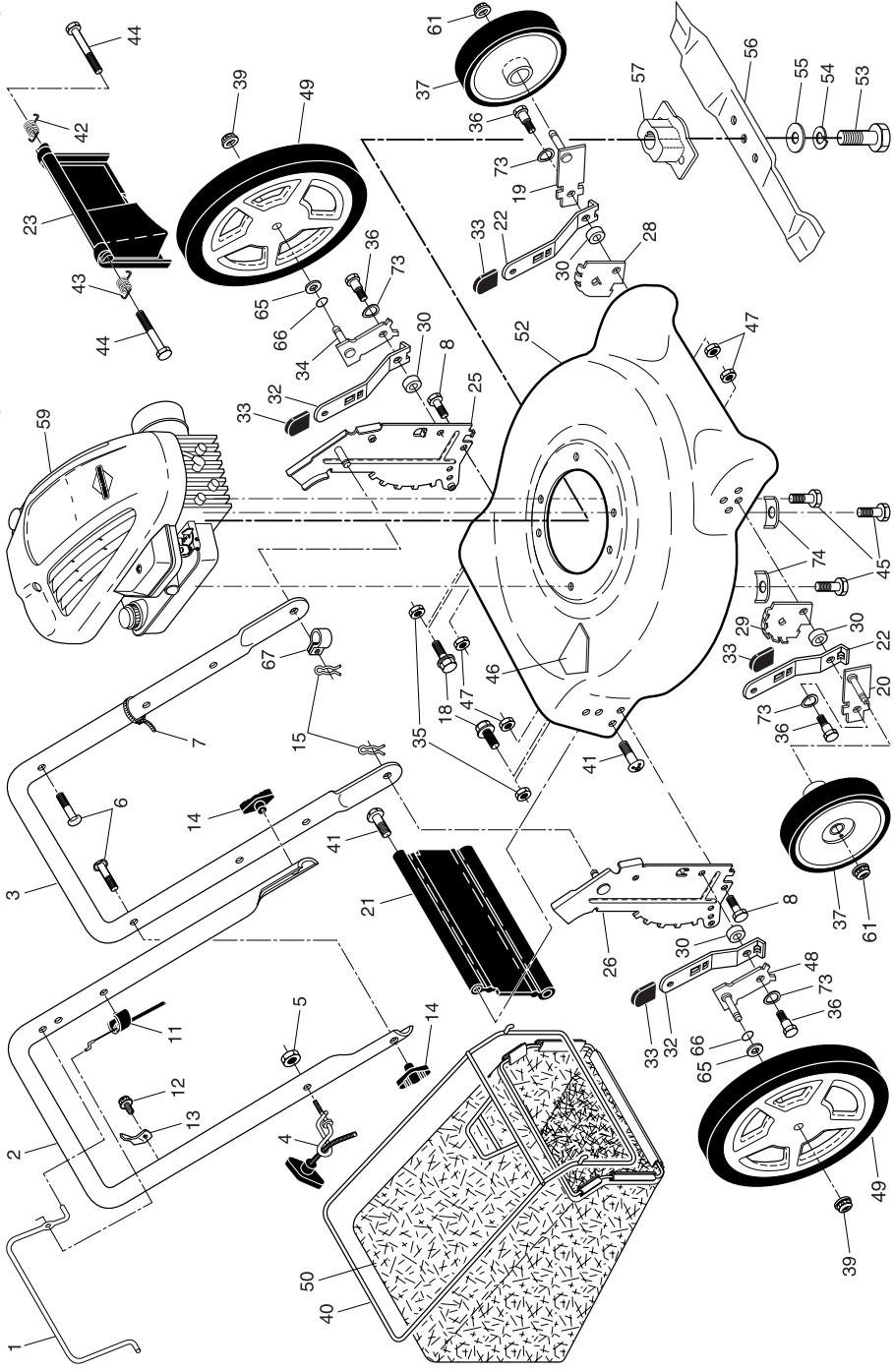


REPAIR PARTS MANUAL MODEL NO. **PO500N21RH** MFG. ID. NO. **96132002200** Rotary Lawn Mower

Poulan

Poulan

ROTARY LAWN MOWER -- MODEL NUMBER PO500N21RH (MFG. ID. NO. 96132002200)



ROTARY LAWN MOWER -- MODEL NUMBER PO500N21RH (MFG. ID. NO. 96132002200)

KEY NO.	PART NO.	DESCRIPTION	KEY NO.	PART NO.	DESCRIPTION	KEY NO.	PART NO.	DESCRIPTION
1	194177X428	Control Bar	49	193926X427	Wheel Adjusting Bracket, Front, LH	54	850263	Helical Lockwasher
2	194179X479	Upper Handle	50	402263	Wheel Adjusting Bracket, Front, RH	55	851074	Hardened Washer
3	169708X479	Lower Handle	52	410180	Spacer	56	406712	21" Blade
4	194788	Rope Guide	53	851084	Selector Spring, Rear	57	193825	Blade Adapter
5	132004	Nut, Hex	54	850263	Selector Knob	59	- - -	Engine, Briggs & Stratton, Model Number 10T502 (For engine service and replacement parts, call Briggs & Stratton at 1-800-233-3723)
6	191574	Handle Bolt	55	851074	Axle Arm Assembly, Rear, LH	61	83923	Flanged Locknut
7	66426	Wire Tie	56	406712	Axle Arm Assembly, Rear, RH	65	86348	Washer, Flat
8	74780512	Bolt, Hex Head 5/16-18 x 3/4	57	193825	Shoulder Bolt 5/16-18 Wheel & Tire Assembly, Front 7 x 1-3/4	66	197480	O-Ring
11	176556	Engine Zone Control Cable	59	- - -	Front 7 x 1-3/4	67	197991	Clip, Cable
12	750634	Hex Washer Head Screw #10-24 x 1/2	61	83923	Nut, Hex	68	197480	Washer, Flat
13	86899X004	Up-Stop Bracket	65	86348	Frame, Grassbag	73	401630	Washer, Curved, Cylindrical
14	189713X428	Handle Knob	66	197480	Screw, Hinge	74	851201X004	Washer, Special, Engine Warning Decal (not shown)
15	51793	Hairpin Cotter	67	197991	Spring, LH	- -	404764	Operator's Manual, English
18	17600406	Screw	68	197480	Spring, RH	- -	193732	Operator's Manual, French
19	401174X004	Axle Arm Assembly, Front, LH	73	401630	Bolt, Rear Door	- -	193734	Repair Parts Manual
20	401175X004	Axle Arm Assembly, Front, RH	74	851201X004	Hex Head Thread Rolling Screw 3/8-16 x 1	- -	412207	Repair Parts Manual
21	189008	Rear Skirt	74	851201X004	Locknut, Hex 5/16-18 Axle Arm Assembly, Rear, RH			
22	401621X004	Selector Spring, Front						
23	401814X004	Rear Door Assembly						
25	400627X479	Handle Bracket Assembly, LH						
26	400628X479	Handle Bracket Assembly, RH						

IMPORTANT: Use only Original Equipment Manufacturer (O.E.M.) replacement parts. Failure to do so could be hazardous, damage your lawn mower and void your warranty.

NOTE: All component dimensions given in U.S. inches. 1 inch = 25.4 mm.