



# Illustrated Parts List

## Model Series

# 31N700

TYPE NUMBERS  
0026 through 3374.

### TABLE OF CONTENTS

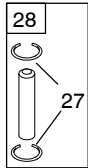
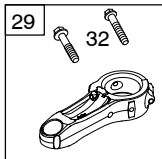
<b>Air Cleaner</b> .....	5
<b>Alternator</b> .....	7
<b>Blower Housing</b> .....	5
<b>Camshaft</b> .....	2
<b>Carburetor</b> .....	4
<b>Controls</b> .....	7
<b>Crankshaft</b> .....	2
<b>Cylinder</b> .....	2
<b>Cylinder Head</b> .....	3
<b>Electric Starter</b> .....	7
<b>Engine Sump</b> .....	2
<b>Exhaust</b> .....	5
<b>Flywheel</b> .....	6
<b>Fuel Supply</b> .....	5
<b>Gasket Set - Engine</b> .....	2
<b>Gasket Set - Valve</b> .....	3
<b>Governor Spring</b> .....	7
<b>Ignition</b> .....	7
<b>Kit - Carburetor Overhaul</b> .....	4
<b>Lubrication</b> .....	3
<b>Piston, Rings, Connecting Rod</b> .....	2
<b>Valves</b> .....	3



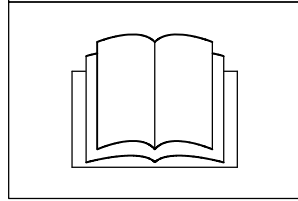
PRINTED IN U.S.A.

COPYRIGHT by BRIGGS & STRATTON CORPORATION  
All rights reserved. No part of this material may be reproduced or transmitted, in any form or by any means, electronic or mechanical, including photocopying, recording or by any information storage and retrieval system, without permission in writing from Briggs & Stratton Corporation.

# 31N700



1058 OPERATOR'S MANUAL

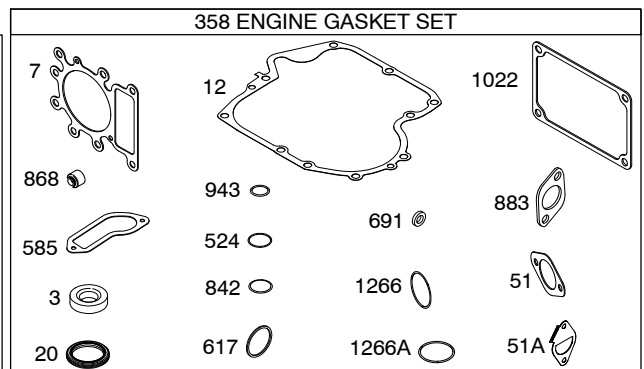
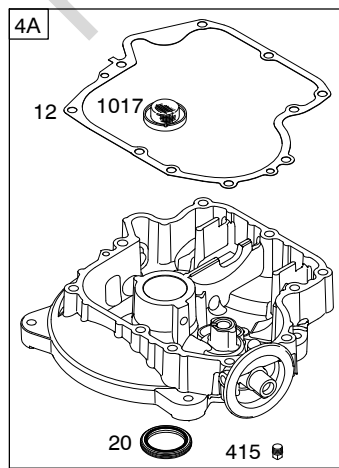
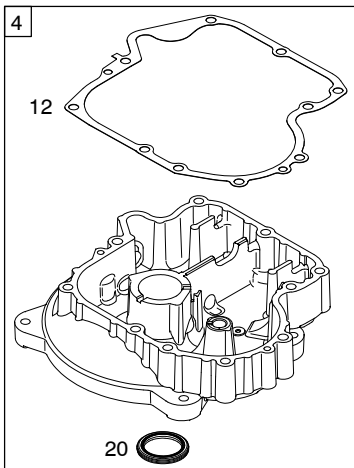
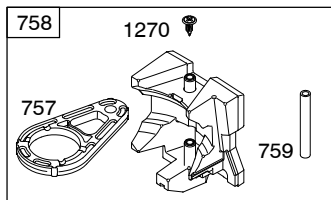
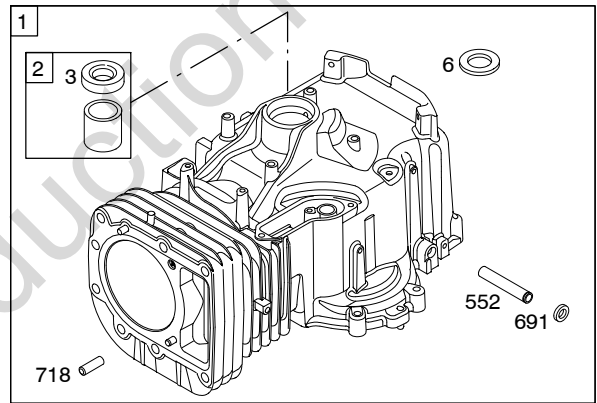
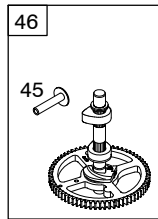
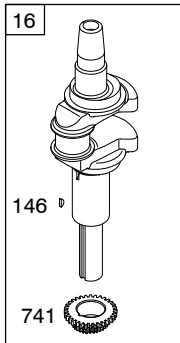
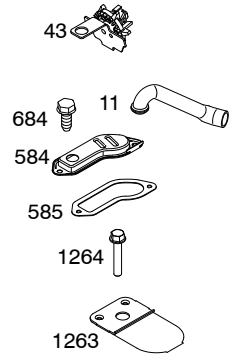
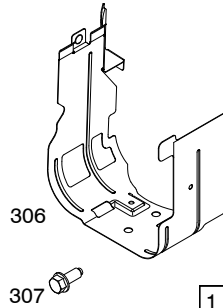
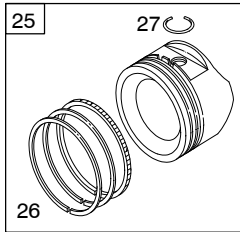


1319 WARNING LABEL

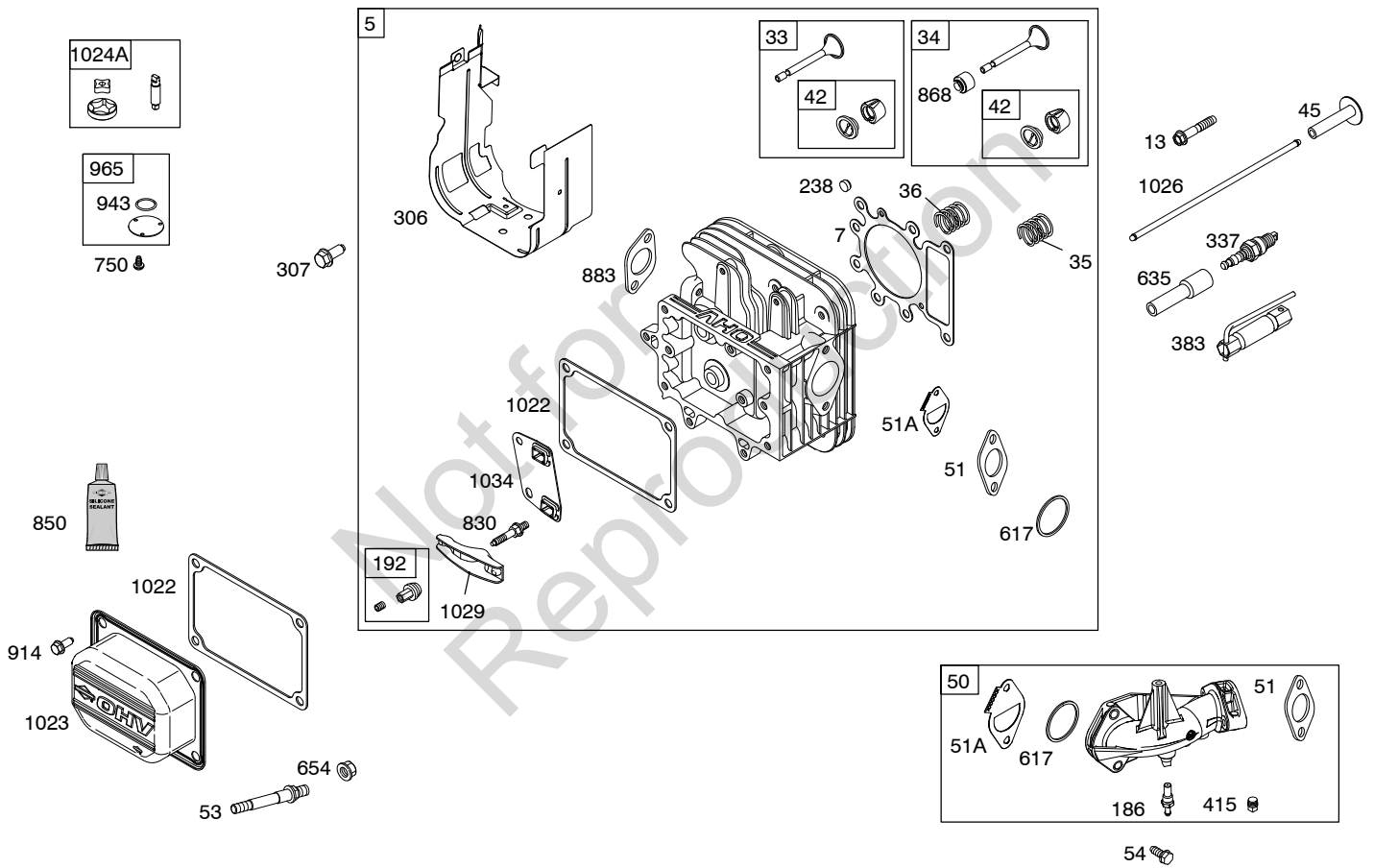
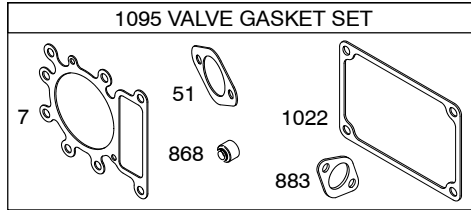
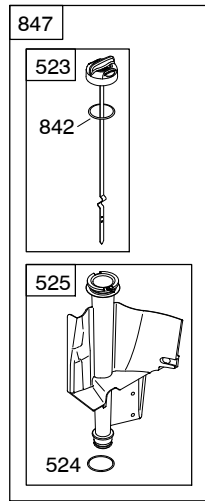
**WARNING**

- Read and follow Operating Instructions before running engine.
- Gasoline is flammable. Allow engine to cool at least 2 minutes before refueling.
- Engines emit carbon monoxide, **DO NOT** run in enclosed area.
- Muffler area temperature may exceed 150°F. Do not touch hot parts.

**REQUIRED** when replacing parts with warning labels affixed.

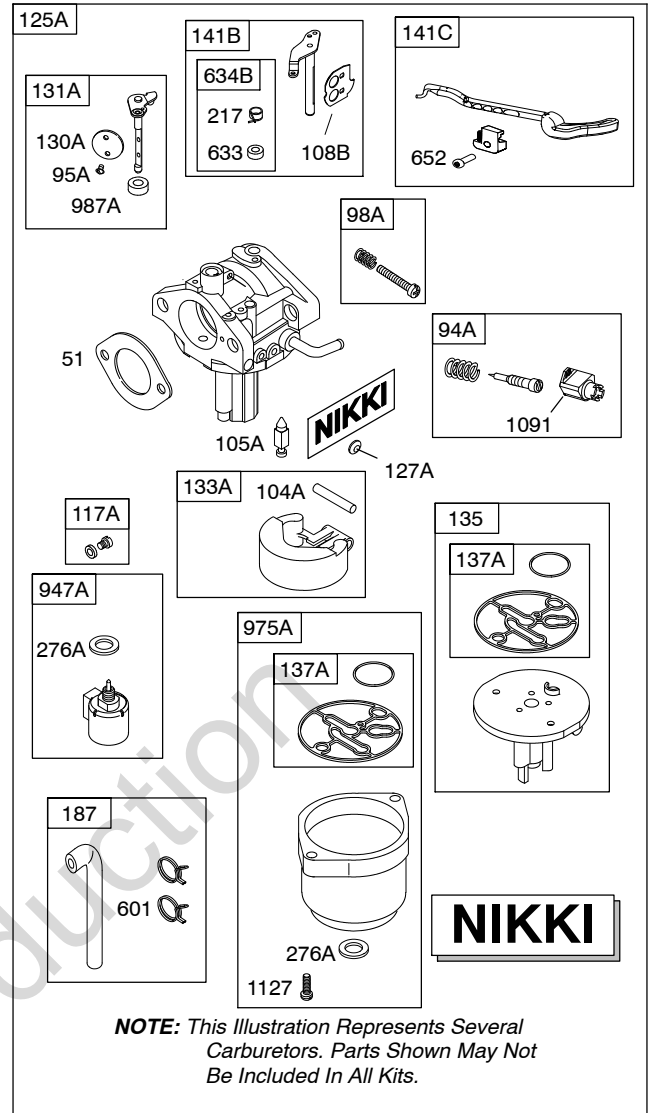
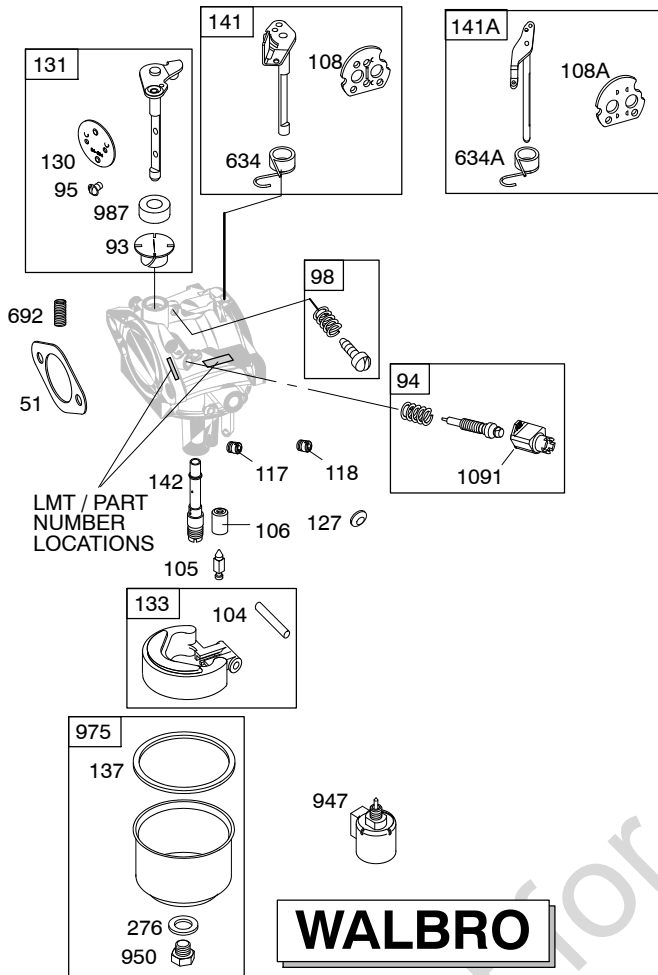


Illustrations cover a range of engines. Parts shown without corresponding text may not be used on your specific engine. 5765-2 Assemblies include all parts shown in frames. 11/22/2010



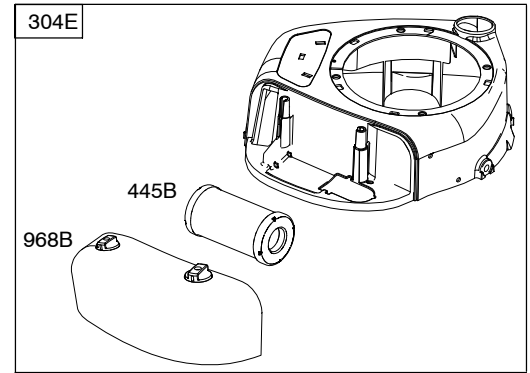
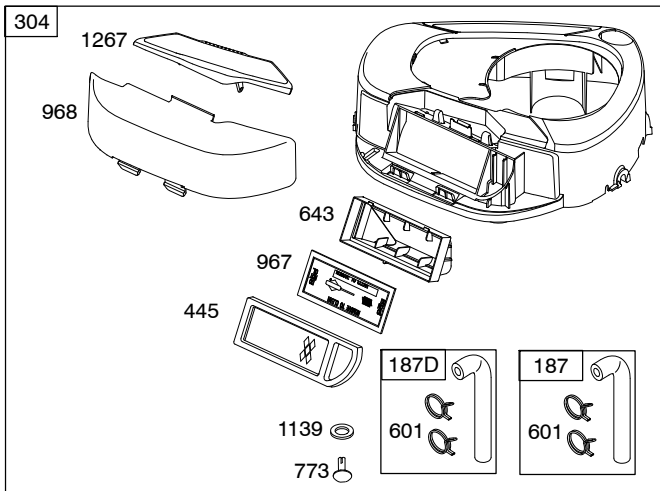
Illustrations cover a range of engines. Parts shown without corresponding text may not be used on your specific engine.  
 5765-3 Assemblies include all parts shown in frames. 11/22/2010

# 31N700

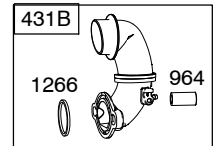


121 CARBURETOR OVERHAUL KIT				
51	104	137	276	95
142	105	634	987	1266
	106	634A	93	
			617	1266A

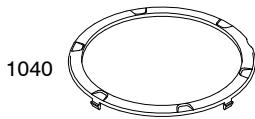
121A CARBURETOR OVERHAUL KIT			
51	127A	137A	98A
104A	987A		
105A	633	1266	217
51A	617	1266A	276A



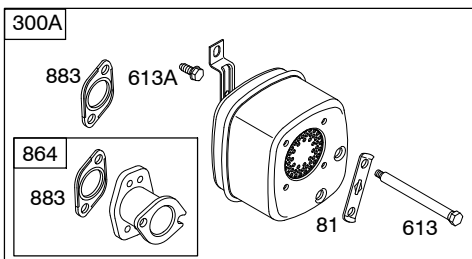
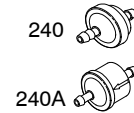
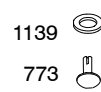
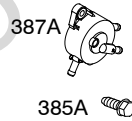
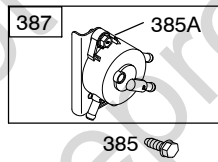
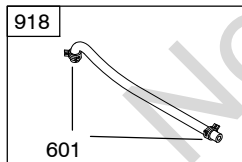
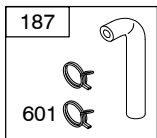
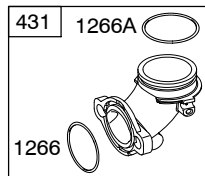
- 305
- 305A
- 305B



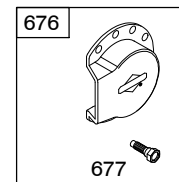
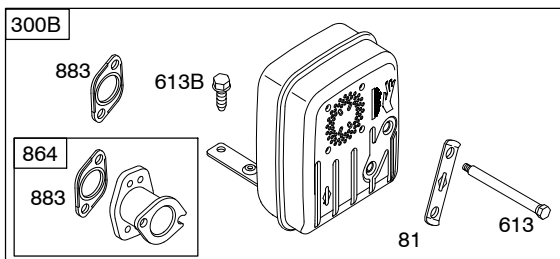
- 305B



1036 EMISSIONS LABEL

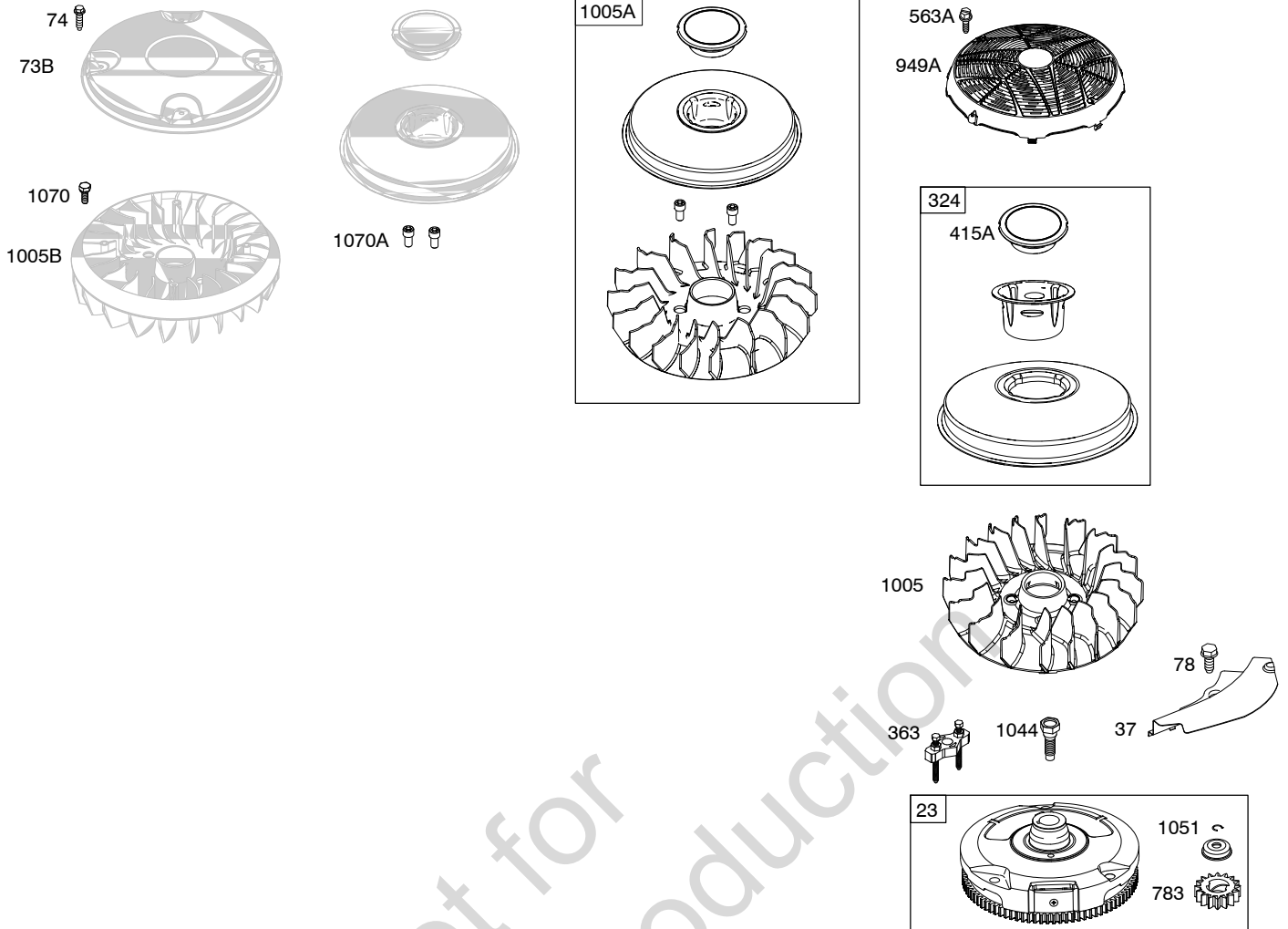


823



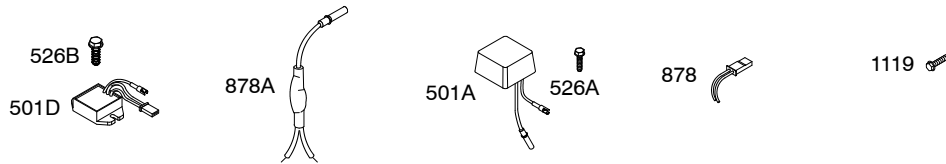
Illustrations cover a range of engines. Parts shown without corresponding text may not be used on your specific engine.  
 5765-5 Assemblies include all parts shown in frames. 11/22/2010

# 31N700



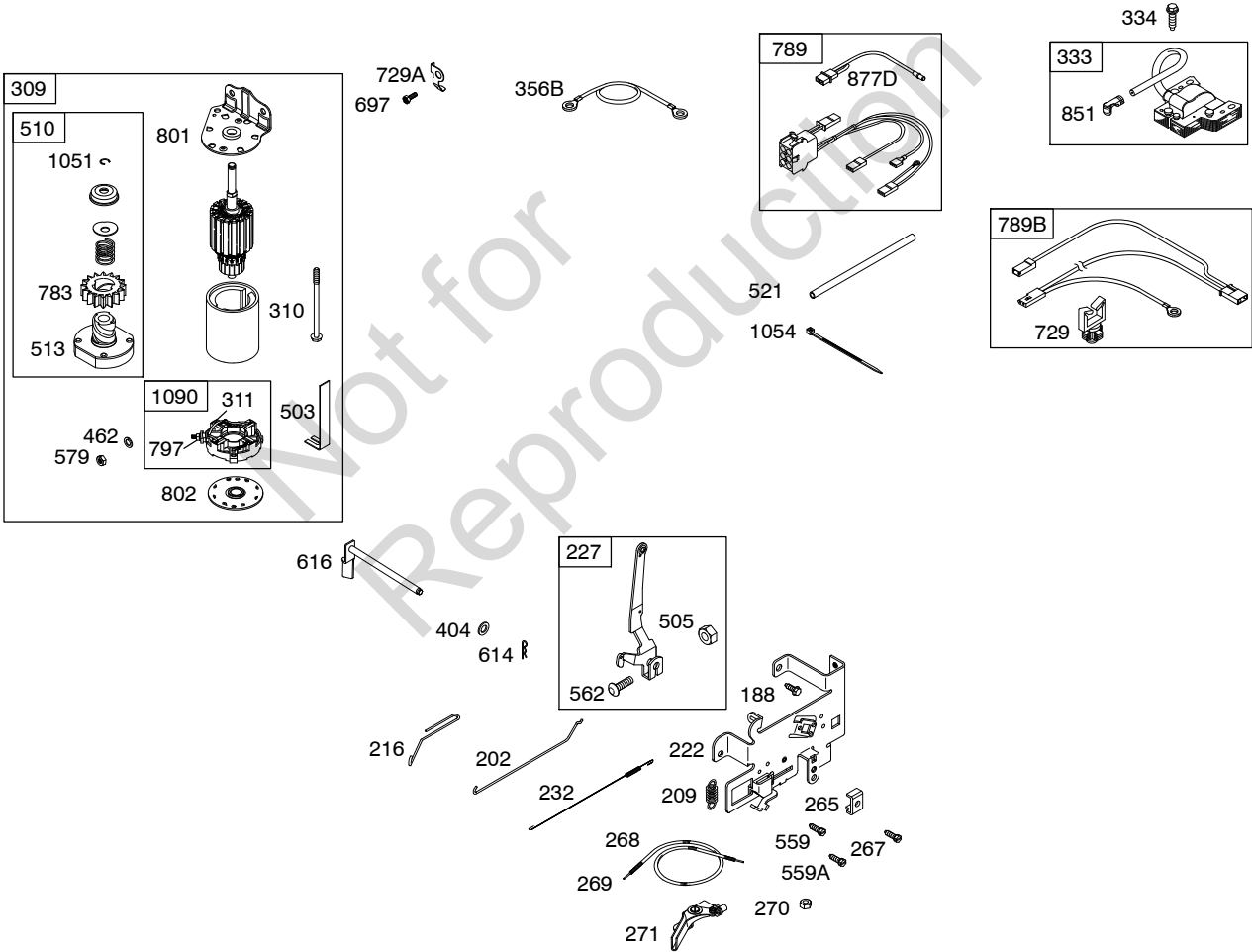
Not for  
Reproduction

10/16 AMP		TRI CIRCUIT		5/9 AMP		DUAL CIRCUIT	
474D	1059	474C	1059	474C	1059	474B	1059
877C		877B		877B		877	



**NOTE:** All stators use a No. 1119 mounting screw.

**NOTE:** The proper flywheel part number and/or the alternator magnet size will determine the alternator type or output. See repair instruction manual for additional information.



# 31N700

REF. NO.	PART NO.	DESCRIPTION	REF. NO.	PART NO.	DESCRIPTION	REF. NO.	PART NO.	DESCRIPTION
1	796010	Cylinder Assembly	15	690946	Plug-Oil Drain (Square Head)	29	794122	Rod-Connecting (Standard)
2	399265	Kit-Bushing/Seal (Magneto Side)	16	797579	Crankshaft			----- <b>Note</b> -----
3	391086S	Seal-Oil (Magneto Side)	20	795387	Seal-Oil (PTO Side)			<b>697263</b> Rod-Connecting (.020" Undersize) (Used Before Code Date 05040400).
4	697106	Sump-Engine (Used After Code Date 05100200). ----- <b>Note</b> ----- <b>795903</b> Sump-Engine (Used Before Code Date 05100300). (Must Use Kit 795903, Includes Sump And Counterweight).	22	692125	Screw (Crankcase Cover/Sump)	32	791118	Screw (Connecting Rod)
4A	697188	Sump-Engine Used on Type No(s). 0131.	23	693557	Flywheel Used on Type No(s). 0130, 0233, 0301, 0302, 0430, 0539, 2539. ----- <b>Note</b> ----- <b>693556</b> Flywheel Used on Type No(s). 0026, 0101, 0131, 0429.	33	792686	Valve-Exhaust
5	796026	Head-Cylinder			<b>698282</b> Flywheel Used on Type No(s). 0132, 1437, 2132, 2437.	34	791935	Valve-Intake
6	690310	Washer (Used After Code Date 07070900).			<b>698281</b> Flywheel Used on Type No(s). 0840, 0872, 1374, 1441, 2441, 3374.	35	691279	Spring-Valve (Intake)
7	796584	Gasket-Cylinder Head	24	222698S	Key-Flywheel	36	691279	Spring-Valve (Exhaust)
9	697109	Gasket-Breather (Used Before Code Date 07071900). (After Date Code Use Liquid Sealant Reference 850)	25	796172	Piston Assembly (Standard)	37	697352	Guard-Flywheel
11	794683	Tube-Breather			----- <b>Note</b> ----- <b>796173</b> Piston Assembly (.020" Oversize)	42	499586	Keeper-Valve
12	697110	Gasket-Crankcase (.015" Thick) (Standard)	26	791936	Ring Set (Standard) (Used After Code Date 08042700).	43	691968	Slinger-Governor/Oil
13	793988	Screw (Cylinder Head) (Used After Code Date 07010900). ----- <b>Note</b> ----- <b>690360</b> Screw (Cylinder Head) (Used Before Code Date 07011000).			----- <b>Note</b> ----- <b>699026</b> Ring Set (Standard) (Used Before Code Date 08042800). <b>792649</b> Ring Set (.020" Oversize)	45	690564	Tappet-Valve
			27	698469	Lock-Piston Pin	46	793880	Camshaft
			28	796007	Pin-Piston (Standard) (Used After Code Date 08042700). ----- <b>Note</b> ----- <b>697099</b> Pin-Piston (Standard) (Used Before Code Date 08042800).	50	796180	Manifold-Intake
						51	692137	Gasket-Intake
						51A	796081	Gasket-Intake
						53	690227	Stud (Carburetor)
						54	691148	Screw (Intake Manifold)
						73B		Screen-Rotating (Used Before Code Date 07040900). (No Longer Available. See Reference 1005A For Service Flywheel Fan)



# 31N700

REF. NO.	PART NO.	DESCRIPTION	REF. NO.	PART NO.	DESCRIPTION	REF. NO.	PART NO.	DESCRIPTION
74	697897	Screw (Rotating Screen)	117A	843099	Jet-Main (Standard)	118A	790890	Jet-Main (High Altitude)
78	691693	Screw (Flywheel Guard)			Used on Type No(s). 0132, 0429, 0539, 0840, 0872, 1374, 1437, 1441, 2132, 2437, 2441, 2539, 3374.			Used on Type No(s). 0132, 0429, 0539, 0840, 0872, 1374, 1437, 1441, 2132, 2437, 2441, 2539, 3374.
81	691178	Lock-Muffler Screw						
93	690602	Bushing-Throttle Shaft						
94	794176	Kit-Idle Mixture (Walbro)						
94A	793610	Kit-Idle Mixture (Nikki)			----- Note -----			----- Note -----
95	691636	Screw (Throttle Valve) (Walbro)			843099 Jet-Main (Standard) (Used After Code Date 08042700).			790890 Jet-Main (High Altitude) (Used After Code Date 08042700).
95A	690718	Screw (Throttle Valve) (Nikki)			Used on Type No(s). 0026G1, 0302.			Used on Type No(s). 0026G1, 0302.
98	495800	Kit-Idle Speed (Walbro)			843099 Jet-Main (Standard) (Used After Code Date 08051300).			790890 Jet-Main (High Altitude) (Used After Code Date 08051300).
98A	695408	Kit-Idle Speed (Nikki)			Used on Type No(s). 0101, 0130, 0301, 0430.			Used on Type No(s). 0101, 0130, 0301, 0430.
104	690525	Pin-Float Hinge (Walbro)						
104A	694918	Pin-Float Hinge (Nikki)			843099 Jet-Main (Standard) (Used After Code Date 09012400).			790890 Jet-Main (High Altitude) (Used After Code Date 09012400).
105	231855S	Valve-Float Needle (Walbro)			Used on Type No(s). 0026E1, 0131.			Used on Type No(s). 0026E1, 0131.
105A	696136	Valve-Float Needle (Nikki)			699732 Jet-Main (Standard) (Used Before Code Date 08042800 and After Code Date 07060300).			699458 Jet-Main (High Altitude) (Used Before Code Date 08042800 and After Code Date 07060300).
106	690577	Seat-Inlet (Gravity Feed)(Carburetors 697203, 697204)			Used on Type No(s). 0026G1, 0302.			Used on Type No(s). 0026G1, 0302.
		----- Note -----						
		691780 Seat-Inlet (Pump Feed) (Carburetor 697202)			699732 Jet-Main (Standard) (Used Before Code Date 08051400 and After Code Date 07060300).			699458 Jet-Main (High Altitude) (Used Before Code Date 08051400 and After Code Date 07060300).
108	690464	Valve-Choke (Walbro Carburetor 697204)			Used on Type No(s). 0101, 0130, 0301, 0430.			Used on Type No(s). 0101, 0130, 0301, 0430.
108A	697344	Valve-Choke (Walbro Carburetors 697202, 697203))						
108B	695419	Valve-Choke (Nikki)			699732 Jet-Main (Standard) (Used Before Code Date 09012500).			699458 Jet-Main (High Altitude) (Used Before Code Date 09012500).
117	694352	Jet-Main (Standard)			Used on Type No(s). 0026E1, 0131.			Used on Type No(s). 0026E1, 0131.
			118	697228	Jet-Main (High Altitude)	121	697241	Kit-Carburetor Overhaul (Walbro)
						121A	796184	Kit-Carburetor Overhaul (Nikki)

Illustrations cover a range of engines. Parts shown without corresponding text may not be used on your specific engine.  
5765-9 Assemblies include all parts shown in frames. 11/22/2010

# 31N700

REF. NO.	PART NO.	DESCRIPTION	REF. NO.	PART NO.	DESCRIPTION	REF. NO.	PART NO.	DESCRIPTION
<b>125A</b>	<b>796109</b>	Carburetor (Nikki)(Gravity Feed) Used on Type No(s). 0132, 0429, 0539, 0840, 0872, 1374, 1437, 1441, 2132, 2437, 2441, 2539, 3374. ----- Note ----- <b>796109</b> Carburetor (Nikki)(Gravity Feed) (Used After Code Date 08042700). Used on Type No(s). 0026G1, 0302. <b>796109</b> Carburetor (Nikki)(Gravity Feed) (Used After Code Date 08051300). Used on Type No(s). 0101, 0130, 0301, 0430. <b>796109</b> Carburetor (Nikki)(Gravity Feed) (Used After Code Date 09012400). Used on Type No(s). 0026E1, 0131. <b>794572</b> Carburetor (Nikki) (Used Before Code Date 08042800). Used on Type No(s). 0026G1, 0302. <b>794572</b> Carburetor (Nikki) (Used Before Code Date 08051400). Used on Type No(s). 0101, 0130, 0301, 0430. <b>794572</b> Carburetor (Nikki) (Used Before Code Date 09012500). Used on Type No(s). 0026E1, 0131, 0233.	<b>131A</b>	<b>699501</b>	Kit-Throttle Shaft (Nikki)	<b>209</b>	<b>796260</b>	Spring-Governor ----- Note -----
			<b>133</b>	<b>494381</b>	Float-Carburetor (Walbro)			<b>690576</b> Spring-Governor Used on Type No(s). 0539, 2539.
			<b>133A</b>	<b>694914</b>	Float-Carburetor (Nikki)			<b>260902</b> Spring-Governor Used on Type No(s). 0131.
			<b>135</b>	<b>698780</b>	Tube-Fuel Transfer (Gravity Feed) ----- Note ----- <b>792022</b> Tube-Fuel Transfer (Pump Feed)			<b>796261</b> Spring-Governor Used on Type No(s). 0132, 2132.
			<b>137</b>	<b>281165S</b>	Gasket-Float Bowl (Walbro)	<b>216</b>	<b>691840</b>	Link-Choke
			<b>137A</b>	<b>698781</b>	Gasket-Float Bowl (Nikki)	<b>217</b>	<b>695409</b>	Spring-Choke Return
			<b>141</b>	<b>790905</b>	Kit-Choke Shaft (Walbro Carburetor 697204)	<b>222</b>	<b>694042</b>	Bracket-Control
			<b>141A</b>	<b>790902</b>	Kit-Choke Shaft (Walbro Carburetor Part Numbers 697202, 697203)	<b>227</b>	<b>691374</b>	Lever-Governor Control
			<b>141B</b>	<b>792777</b>	Kit-Choke Shaft	<b>232</b>	<b>691842</b>	Spring-Governor Link
			<b>141C</b>	<b>793386</b>	Kit-Choke Shaft (Manual Choke)	<b>238</b>	<b>691843</b>	Cap-Valve
			<b>142</b>	<b>697140</b>	Nozzle-Carburetor (Standard)	<b>240</b>	<b>394358S</b>	Filter-Fuel (White, 75 Microns) Used on Type No(s). 0101, 0130, 0132, 0233, 0301, 0302, 0429, 0430, 0539, 0840, 0872, 1374, 1437, 1441, 2132, 2437, 2441, 2539, 3374.
			<b>146</b>	<b>691639</b>	Key-Timing	<b>240A</b>	<b>691035</b>	Filter-Fuel (Includes Paper Element With A 40 Micron Rating) Used on Type No(s). 0026, 0131.
			<b>186</b>	<b>794873</b>	Connector-Hose	<b>265</b>	<b>691024</b>	Clamp-Casing
			<b>187</b>	<b>791805</b>	Line-Fuel (Formed) (10-1/4" Long) (Cut to Required Length)	<b>267</b>	<b>794904</b>	Screw (Casing Clamp)
			<b>187D</b>	<b>791744</b>	Line-Fuel (Formed) (14" Long) (Cut to Required Length)	<b>268</b>	<b>691025</b>	Casing-Control Wire (Cut To Required Length)
			<b>188</b>	<b>691693</b>	Screw (Control Bracket)	<b>269</b>	<b>691026</b>	Wire-Control (Cut To Required Length)
			<b>192</b>	<b>691986</b>	Adjuster-Rocker Arm	<b>270</b>	<b>691027</b>	Nut (Control Wire Casing)
			<b>202</b>	<b>691841</b>	Link-Mechanical Governor	<b>271</b>	<b>691028</b>	Lever-Control
<b>127</b>	<b>695005</b>	Plug-Welch (Walbro)						
<b>127A</b>	<b>690727</b>	Plug-Welch (Nikki)						
<b>130</b>	<b>691750</b>	Valve-Throttle (Walbro)						
<b>130A</b>	<b>699500</b>	Valve-Throttle (Nikki)						
<b>131</b>	<b>790901</b>	Kit-Throttle Shaft (Walbro)						

Illustrations cover a range of engines. Parts shown without corresponding text may not be used on your specific engine. 5765-10 Assemblies include all parts shown in frames. 11/22/2010

# 31N700

REF. NO.	PART NO.	DESCRIPTION	REF. NO.	PART NO.	DESCRIPTION	REF. NO.	PART NO.	DESCRIPTION
276	692255	Washer-Sealing (Walbro)	337	491055S	Plug-Spark ----- <b>Note</b> -----	474C	696457	Alternator (5/9 Amp. Regulated Or Tri Circuit)
276A	695410	Washer-Sealing (Nikki)			<b>792015</b> Plug-Spark Used on Type No(s). 0130, 0131, 0539, 0840, 2539.			Used on Type No(s). 0026, 0101, 0132, 0429, 1437, 2132, 2437.
300A	795998	Muffler Used on Type No(s). 0872.			<b>691043</b> Plug-Spark Used on Type No(s). 0132, 2132, 2437, 2441.	474D	696458	Alternator (10/16 Amp. Circuit) Used on Type No(s). 0131.
300B	795997	Muffler Used on Type No(s). 0131.	356B	697089	Wire-Stop	501A	794360	Regulator (5/9 Amp.)
304	796416	Housing-Blower (Compatible With Panel Style Filter)	358	796187	Gasket Set-Engine	501D	797375	Regulator (10/16 Amp.)
304E	797900	Housing-Blower (Compatible With Cylinder Style Filter) Used on Type No(s). 0840, 0872, 2132, 2437, 2441, 2539, 3374.	363	19203	Puller-Flywheel	503	691532	Strap-Starter
305	697102	Screw (Blower Housing)	383	89838S	Wrench-Spark Plug	505	691251	Nut (Governor Control Lever)
305A	793376	Screw (Blower Housing)	385	694476	Screw (Fuel Pump)	510	693699	Drive-Starter
305B	795891	Screw (Blower Housing To Intake Elbow)	385A	690297	Screw (Fuel Pump)	513	692024	Clutch-Drive
306	796006	Shield-Cylinder (Used After Code Date 08042700). ----- <b>Note</b> ----- <b>697107</b> Shield-Cylinder (Used Before Code Date 08042800).	387	697090	Pump-Fuel (Used Before Code Date 08082500).	521	690581	Shield-Cable
307	691693	Screw (Cylinder Shield)	387A	808656	Pump-Fuel (Used After Code Date 08082400).	523	699908	Dipstick
309	693551	Motor-Starter ----- <b>Note</b> ----- <b>693552</b> Motor-Starter Used on Type No(s). 0131.	404	691691	Washer (Governor Crank)	524	691032	Seal-Dipstick Tube
310	690323	Screw (Starter Motor) ----- <b>Note</b> ----- <b>691263</b> Screw (Starter Motor) Used on Type No(s). 0131.	415	794903	Plug	525	697184	Tube-Dipstick Used on Type No(s). 0101, 0130, 0132, 0233, 0301, 0302, 0430, 0429, 0539, 0840, 0872, 1374, 1437, 1441, 2132, 2437, 2441, 2539, 3374. ----- <b>Note</b> ----- <b>697085</b> Tube-Dipstick Used on Type No(s). 0026, 0131.
311	497608	Brush Set	415A	794129	Plug (Cover/Retainer)	526A	697088	Screw (Regulator)
324	796308	Screen-Rotating (Used After Code Date 07040800).	431	697122	Elbow-Intake	526B	697348	Screw (Regulator)
333	795315	Armature-Magneto	431B	797901	Elbow-Intake Used on Type No(s). 0840, 0872, 2132, 2437, 2441, 2539, 3374.	552	697144	Bushing-Governor Crank
334	691061	Screw (Magneto Armature)	445	698083	Filter-Air Cleaner Cartridge (Panel Style)	559	697561	Screw (.375 Inches Remote Choke Stop)
			445B	796031	Filter-Air Cleaner Cartridge (Cylinder Style) Used on Type No(s). 0840, 0872, 2132, 3437, 2441, 2539, 3374.	559A	693675	Screw (.415 Inches Remote Choke Stop)
			462	691261	Washer (Starter Cable)	562	691119	Bolt (Governor Control Lever)
			474B	696459	Alternator (Dual Circuit) Used on Type No(s). 0130, 0233, 0301, 0302, 0430, 0539, 0840, 0872, 1374, 1441, 2441, 2539, 3374.	563A	799359	Screw (Debris Guard)

Illustrations cover a range of engines. Parts shown without corresponding text may not be used on your specific engine.

# 31N700

REF. NO.	PART NO.	DESCRIPTION	REF. NO.	PART NO.	DESCRIPTION	REF. NO.	PART NO.	DESCRIPTION
579	691029	Nut (Starter Cable)	757	697607	Link-Counterweight	877B	393537	Wire/Connector-Alternator
584	794682	Cover-Breather Passage (Use With Liquid Sealant Reference 850)	758	793763	Counterweight (Used After Code Date 05100200).			(5/9 Amp. Regulated Or Tri Circuit)
601	791850	Clamp-Hose			----- Note -----	877C	399916	Wire/Connector-Alternator
613	691416	Screw (Muffler)			795903 Counterweight (Used Before Code Date 05100300). (Must Use Kit 795903, Includes Sump And Counterweight).	877D	790544	Wire/Connector-Alternator
613A	691678	Screw (Muffler)	759	697392	Pin-Counterweight	878	398661	Harness-Alternator (Dual Circuit)
613B	690297	Screw (Muffler)	773	796448	Retainer (Fuel Pump)	878A	691955	Harness-Alternator (Tri Circuit)
614	691620	Pin-Cotter	783	693713	Gear-Pinion	883	692236	Gasket-Exhaust
616	692012	Crank-Governor	789	698329	Harness-Wiring	914	697551	Screw (Rocker Cover)
617	692138	Seal-O Ring (Intake Manifold)	789B	692037	Harness-Wiring	918	791851	Hose-Vacuum Used on Type No(s). 0026.
633	699813	Seal-Choke/Throttle Shaft	797	693167	Nut (Brush Retainer)	943	690589	Seal-O Ring (Oil Pump Cover)
634	690801	Spring/Seal Assembly (Walbro Carburetor 697204)	801	691283	Cap-Drive	947	694393	Solenoid-Fuel (Walbro)
634A	690802	Spring/Seal Assembly (Walbro Carburetors 697202, 697203)	802	691286	Cap-End	947A	699915	Solenoid-Fuel (Nikki)
634B	698779	Spring/Seal Assembly (Nikki)	823	698941	Screw (Muffler Adapter)	949A	799358	Guard-Debris Screen
635	691909	Boot-Spark Plug	830	691095	Stud-Rocker Arm	950	691657	Screw-Float Bowl
643	698401	Retainer-Air Filter	842	691031	Seal-O Ring (Dipstick Tube)	964	799159	Cap-Connector (EVAP)
652	793380	Screw (Support Bracket)	847	790442	Dipstick/Tube Assembly Used on Type No(s). 0101, 0130, 0132, 0233, 0301, 0302, 0429, 0430, 0539, 0840, 0872, 1374, 1437, 1441, 2132, 2437, 2441, 2539, 3374.	965	499613	Cover-Oil Pump Used on Type No(s). 0131.
654	690958	Nut (Carburetor)			----- Note -----	967	697015	Filter-Pre Cleaner
676	695036	Deflector-Muffler Used on Type No(s). 0131.			790443 Dipstick/Tube Assembly Used on Type No(s). 0026, 0131.	968	699986	Cover-Air Cleaner (Black)
677	690661	Screw (Muffler Deflector)						----- Note ----- 699848 Cover-Air Cleaner (Red)
684	697157	Screw (Breather Assembly)	850	100100	Sealant-Liquid (Rocker Cover Gasket and Breather Gasket)	968B	797902	Cover-Air Cleaner (Black) Used on Type No(s). 0840, 0872, 2132, 2437, 2441, 2539, 3374.
691	692407	Seal-Governor Shaft	851	692424	Terminal-Spark Plug	975	495933	Bowl-Float (Walbro)
692	690572	Spring-Detent	864	796002	Adapter-Muffler (Length 2.25 Inches)	975A	699502	Bowl-Float (Nikki)
697	791680	Screw (Drive Cap)	868	690968	Seal-Valve	987	691326	Seal-Throttle Shaft (Walbro)
718	690959	Pin-Locating	877	393456	Wire/Connector-Alternator (Dual Circuit)			
729	691335	Clip-Wire						
729A	691224	Clip-Wire						
741	697128	Gear-Timing						
750	790832	Screw (Oil Pump Cover)						

Illustrations cover a range of engines. Parts shown without corresponding text may not be used on your specific engine.  
 5765-12 Assemblies include all parts shown in frames. 11/22/2010

# 31N700

REF. NO.	PART NO.	DESCRIPTION	REF. NO.	PART NO.	DESCRIPTION	REF. NO.	PART NO.	DESCRIPTION
987A	698777	Seal-Throttle Shaft (Nikki)	1027	492932S	Filter-Oil (Standard)	1119	691183	Screw (Alternator)
1005	796083	Fan-Flywheel (Used After Code Date 07040800).	1029	691751	Arm-Rocker	1127	695407	Screw (Float Bowl)
1005A	796201	Fan-Flywheel (Used Before Code Date 07040900).	1032	491710	Ball-Oil Pump (Used Before Code Date 04062800).	1139	796449	Washer
1005B		Fan-Flywheel (No Longer Available) (See Reference 1005A For Service Flywheel Fan).	1034	690822	Guide-Push Rod Label-Emissions (Available From A Briggs & Stratton Authorized Dealer)	1263	697124	Reed-Breather
1017	796981	Screen-Oil Pump Used on Type No(s) 0131.	1036			1264	697104	Screw (Breather Reed)
1022	272475S	Gasket-Rocker Cover (Used Before Code Date 07091000). (After Date Code Use Liquid Sealant Reference 850)	1040	698368	Plate-Trim	1266	691917	Seal-O Ring (Intake Elbow)
1023	797421	Cover-Rocker	1044	698139	Screw (Flywheel)	1266A	697123	Seal-O Ring (Intake Elbow)
1024A	794644	Pump-Oil Used on Type No(s) 0131.	1051	691265	Ring-Retaining	1267	697419	Latch-Blower Housing (Black)
1026	692003	Rod-Push (Intake)	1054	280275	Tie-Cable	1270	793243	Plug-AVS Counterweight
		----- Note -----	1058	276344	Manual-Operator's	1319	794467	Label-Warning
		692011 Rod-Push (Exhaust)	1059	698516	Kit-Screw/Washer			
			1070	791680	Screw (Flywheel Fan) (Used Before Code Date 07040900).			
			1070A	690363	Screw (Flywheel Fan) (Used Before Code Date 08061000 and After Code Date 07040800).			
			1090	691293	Retainer-Brush			
			1091	691333	Cap-Limiter			
			1095	794152	Gasket Set-Valve			

Not for  
Reproduction

Illustrations cover a range of engines. Parts shown without corresponding text may not be used on your specific engine.

Not for  
Reproduction

Not for  
Reproduction

Not for  
Reproduction

