



Illustrated Parts List

Model Series

**522400
850CC
DIESEL**

TYPE NUMBERS

0105, 0106, 0107, 0108,
0109, 0111, 0112, 0314,
0376, 0405, 0406, 0407,
0412, 0414, 0476, 0478.

REFER TO REPAIR MANUAL MS 1055 FOR ASSEMBLY AND TORQUE REQUIREMENTS.

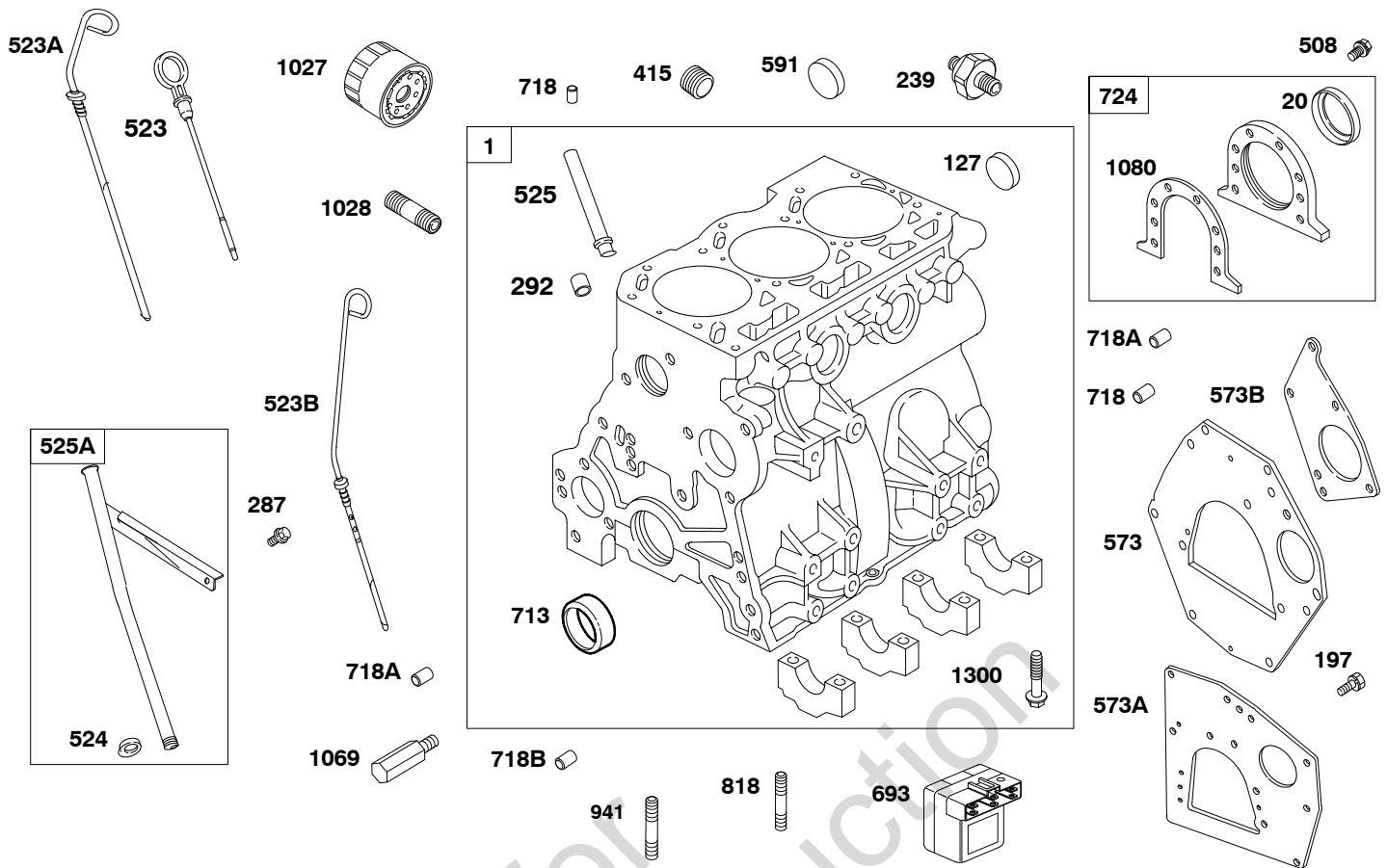
Not for
Reproduction

PRINTED IN U.S.A.



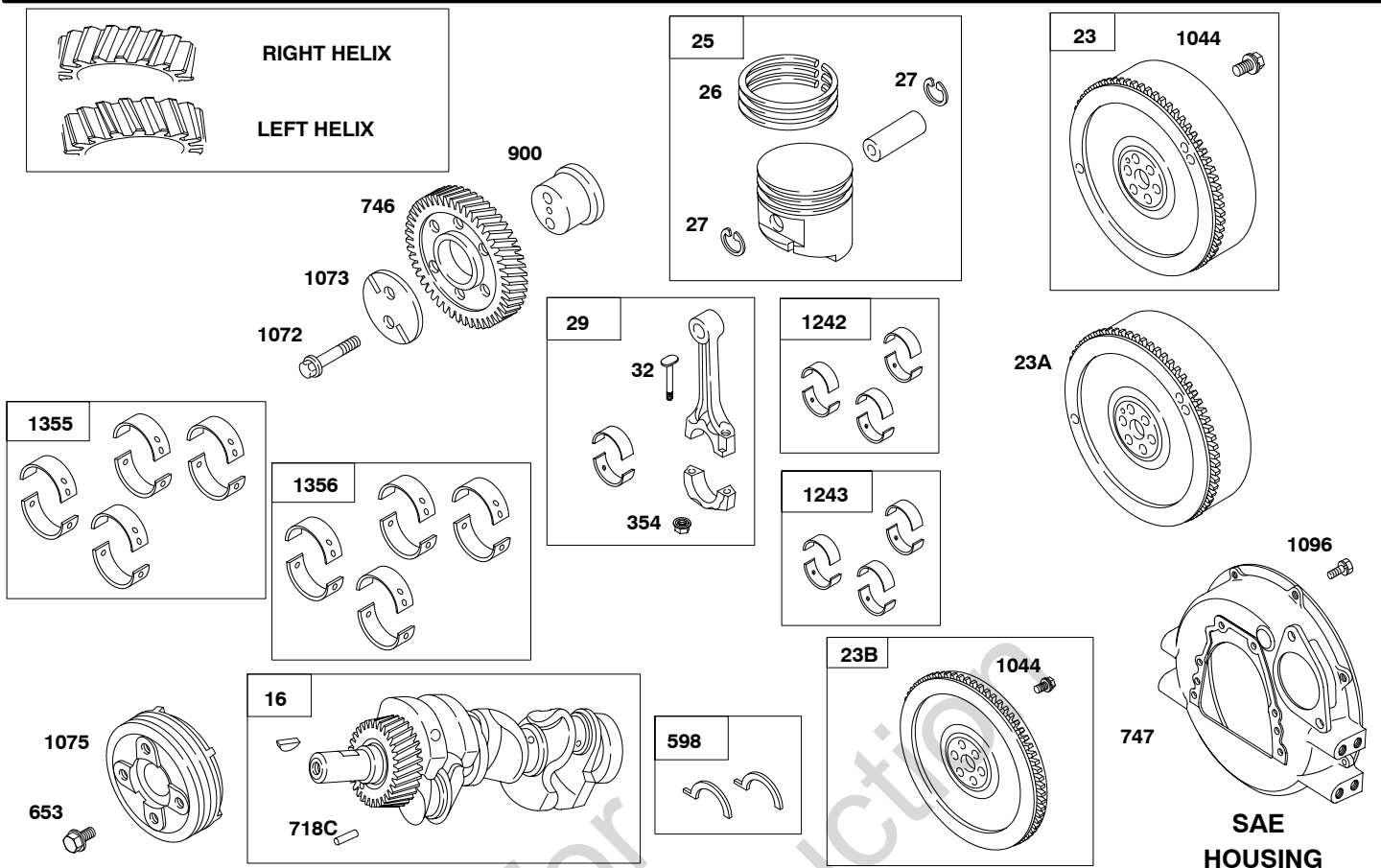
COPYRIGHT by BRIGGS & STRATTON DAIHATSU LLC
All rights reserved. No part of this material may be reproduced or transmitted,
in any form or by any means, electronic or mechanical, including photocopying,
recording or by any information storage and retrieval system, without permission
in writing from Briggs & Stratton DAIHATSU LLC.

522400



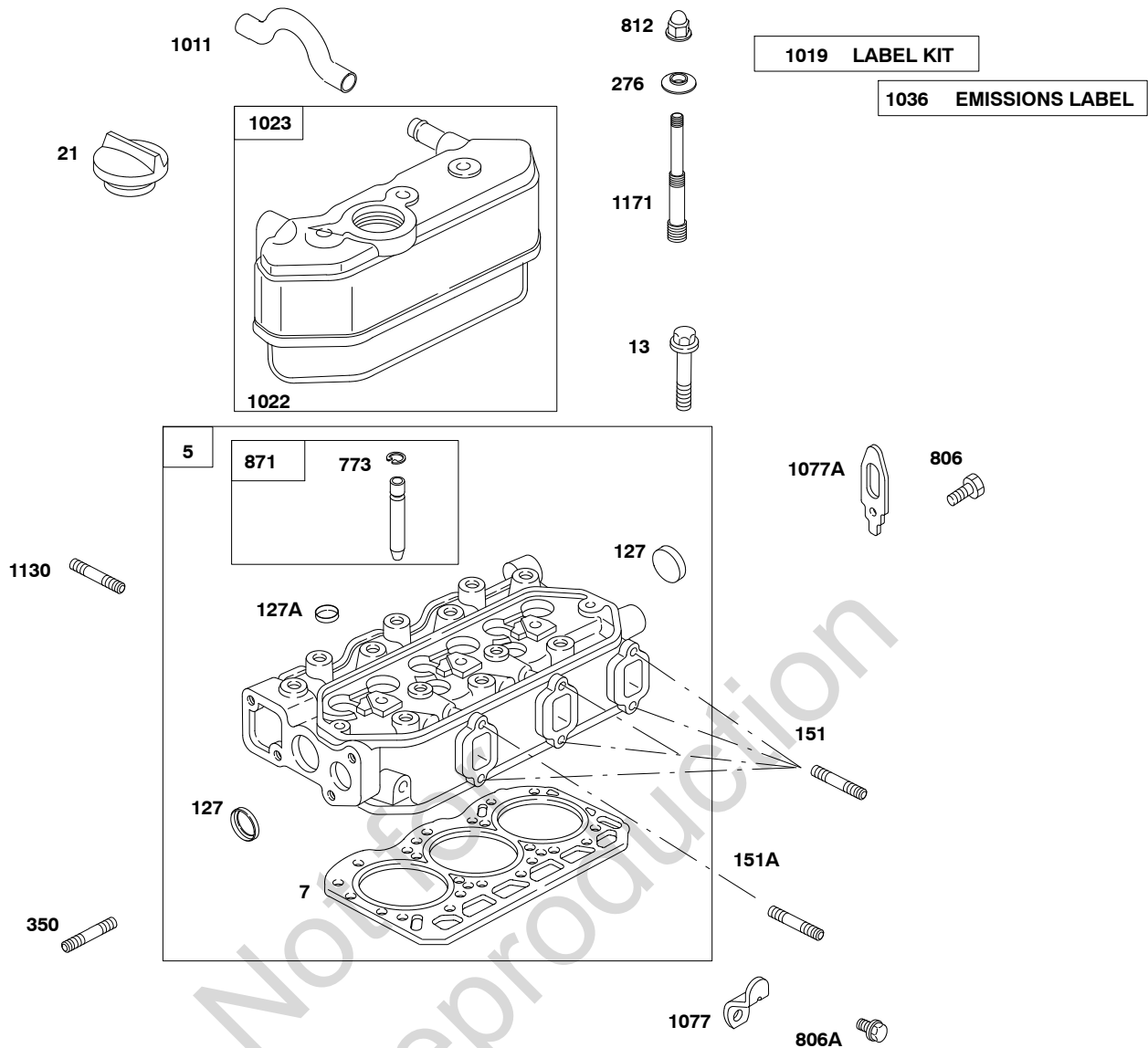
| REF. NO. | PART NO. | DESCRIPTION | REF. NO. | PART NO. | DESCRIPTION | REF. NO. | PART NO. | DESCRIPTION |
|----------|----------|------------------------------------------------------------------------------------------------------------------------------------------------------------------------------------------------------------------------------------------|----------|----------|-----------------------------------------------------------------------|----------|----------|----------------------------------------------------------------------------------------------------------------------------------------|
| 1 | 825733 | Cylinder Assembly (Used After Code Date 06033100). ----- Note ----- 825593 Cylinder Assembly (Used After Code Date 02053100 and Before Code Date 06040100). 825356 Cylinder Assembly (Used Before Code Date 02060100). | 508 | 820031 | Screw (Seal Retainer) | 693 | 821319 | Module-Pre Heat (Used After Code Date 07033100). ----- Note ----- 820373 Module-Pre Heat (Used Before Code Date 07040100). |
| 20 | 821328 | Seal-Oil (PTO Side) | 523 | 821158 | Dipstick (Short) | 713 | 821299 | Bushing-Camshaft |
| 127 | 820004 | Plug-Welch (Cylinder) | 523A | 820643 | Dipstick Used on Type No(s). 0107, 0108, 0407. | 718 | 820063 | Pin-Locating |
| 197 | 820176 | Screw (Back Plate) | 523B | 820572 | Dipstick Used on Type No(s). 0106, 0111, 0376, 0406, 0476. | 718A | 820062 | Pin-Locating |
| 239 | 821135 | Switch-Oil Pressure | 524 | 820654 | Seal-Dipstick Tube | 718B | 820061 | Pin-Locating |
| 287 | 820273 | Screw (Dipstick Tube) | 525 | 820144 | Tube-Dipstick | 724 | 825731 | Retainer-Seal |
| 292 | 820662 | Collar-Dipstick Tube | 525A | 820666 | Tube-Dipstick | 818 | 820016 | Stud (Oil Pump Screen) |
| 415 | 820375 | Plug (Cylinder) | 573 | 820170 | Plate-Back | 941 | 820017 | Stud (Oil Pan) |
| | | | 573A | 820283 | Plate-Back Used on Type No(s). 0107, 0407. | 1027 | 820314 | Filter-Oil |
| | | | 573B | 820147 | Plate-Back Used on Type No(s). 0106, 0109, 0111, 0314, 0414. | 1028 | 820851 | Adapter-Oil Filter |
| | | | 591 | 821069 | Plug-Camshaft | 1069 | 820102 | Nozzle-Oil |
| | | | | | | 1080 | 820145 | Gasket-Seal Retainer |
| | | | | | | 1300 | 820042 | Screw (Crankshaft Bearing Cap) |

Engine Gasket Set-Reference 358
Valve Gasket Set-Reference 1095



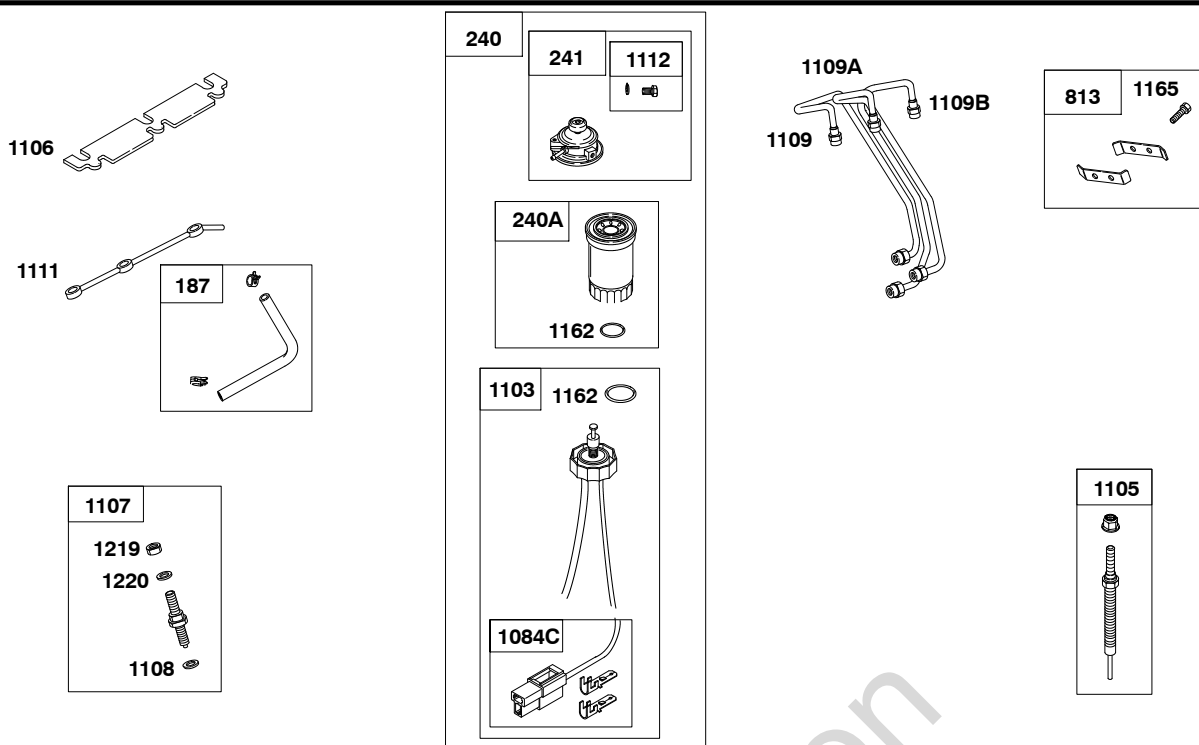
| REF. NO. | PART NO. | DESCRIPTION | REF. NO. | PART NO. | DESCRIPTION | REF. NO. | PART NO. | DESCRIPTION |
|----------|----------|-----------------------------------------|----------|----------|-------------------------------------------------------------------|----------|----------|--------------------------------|
| 16 | 825552 | Crankshaft | 598 | 821295 | Shim-Endplay (Crankshaft) | 747 | 820248 | Housing-Flywheel (SAE) |
| 23 | 825303 | Flywheel | | | (Standard) | 900 | 820116 | Shaft-Gear |
| 23A | 825071 | Flywheel | | | ----- Note ----- | 1044 | 820080 | Screw (Flywheel to Crankshaft) |
| | | Used on Type No(s). 0478. | | | 821297 Shim-Endplay (Crankshaft) (.005" Oversize) | 1072 | 820081 | Screw (Idle Gear Plate) |
| 23B | 825302 | Flywheel | | | | 1073 | 820117 | Plate-Idle Gear |
| | | Used on Type No(s). 0106, 0109. | 653 | 821138 | Screw (Crankshaft Pulley) | 1075 | 820236 | Pulley-Crankshaft |
| 25 | 825311 | Piston Assembly (Standard) | 718C | 820059 | Pin-Locating (Crankshaft) | 1096 | 820241 | Screw (Flywheel Housing) |
| | | ----- Note ----- | 746 | 820611 | Gear-Idler (Left Helix) (Used After Code Date 98123100). | 1242 | 825737 | Bearing Set/STD-Rod |
| | | 825312 Piston Assembly (.010" Oversize) | | | ----- Note ----- | 1243 | 825738 | Bearing Set/010-Rod |
| 26 | 825164 | Ring Set (Standard) | | | 825013 Gear-Idler (Right Helix) (Used Before Code Date 99010100). | 1355 | 821291 | Bearing Set/STD-Main |
| | | ----- Note ----- | | | | 1356 | 821293 | Bearing Set/010-Main |
| | | 825165 Ring Set (.010" Oversize) | | | | | | |
| 27 | 820402 | Lock-Piston Pin | | | | | | |
| 29 | 825735 | Rod-Connecting | | | | | | |
| 32 | 820128 | Screw (Connecting Rod) | | | | | | |
| 354 | 820073 | Nut (Connecting Rod) | | | | | | |

Engine Gasket Set-Reference 358
Valve Gasket Set-Reference 1095



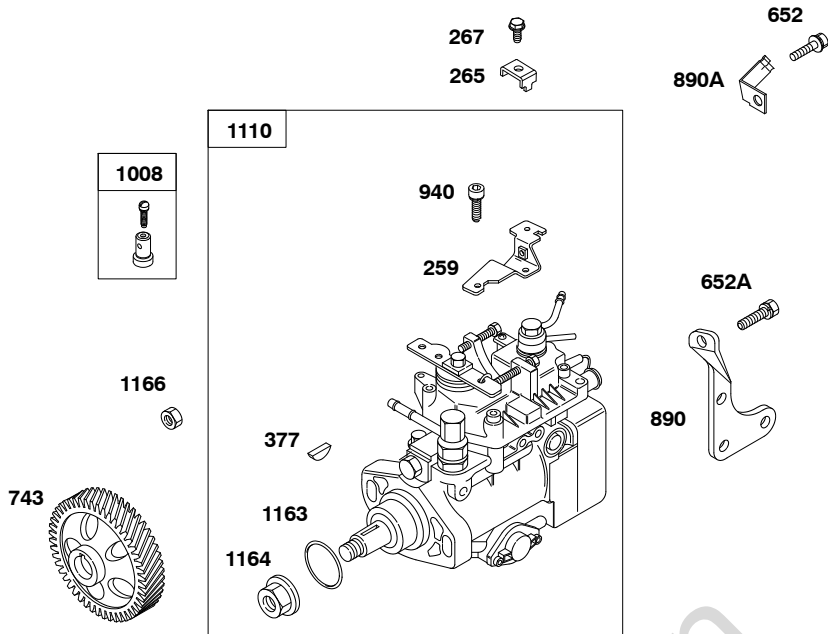
| REF. NO. | PART NO. | DESCRIPTION | REF. NO. | PART NO. | DESCRIPTION | REF. NO. | PART NO. | DESCRIPTION |
|----------|----------|-----------------------------------|----------|----------|----------------------------------------------------------------------------------------------------------------------------------------------|----------|----------|---------------------------------------------------------------------------------|
| 5 | 825692 | Head-Cylinder | 806 | 820212 | Screw (Lifting Bracket) | 1036 | | Label-Emissions (Available from a Briggs & Stratton Authorized Dealer) |
| 7 | 820621 | Gasket-Cylinder Head | 806A | 820024 | Screw (Lifting Bracket) | 1077 | 820260 | Bracket-Lifting |
| 13 | 820623 | Screw (Cylinder Head) | 812 | 820071 | Nut (Rocker Cover) | 1077A | 820254 | Bracket-Lifting |
| 21 | 825024 | Cap-Oil Fill | 871 | 825030 | Bushing-Valve Guide | 1130 | 820015 | Stud (Intake Manifold) |
| 127 | 820004 | Plug-Welch | 1011 | 821003 | Tube-Vent | 1171 | 820076 | Stud (Rocker Cover) |
| 127A | 820005 | Plug-Welch | 1019 | 825650 | Kit-Label | | | |
| 151 | 820014 | Stud (Exhaust Manifold) | 1022 | 820150 | Gasket-Rocker Cover | | | |
| 151A | 820466 | Stud (Exhaust Manifold) | 1023 | 825672 | Cover-Rocker (Order Reference 1019, Label Kit and Reference 1036, Emissions Label for your Model, Type, Trim By Date Code) | | | |
| 276 | 820064 | Washer-Sealing (Rocker Cover) | | | | | | |
| 350 | 820078 | Stud (Water Pump) | | | | | | |
| 773 | 820130 | Retainer (Valve Guide Bushing) | | | | | | |

Engine Gasket Set-Reference 358
Valve Gasket Set-Reference 1095



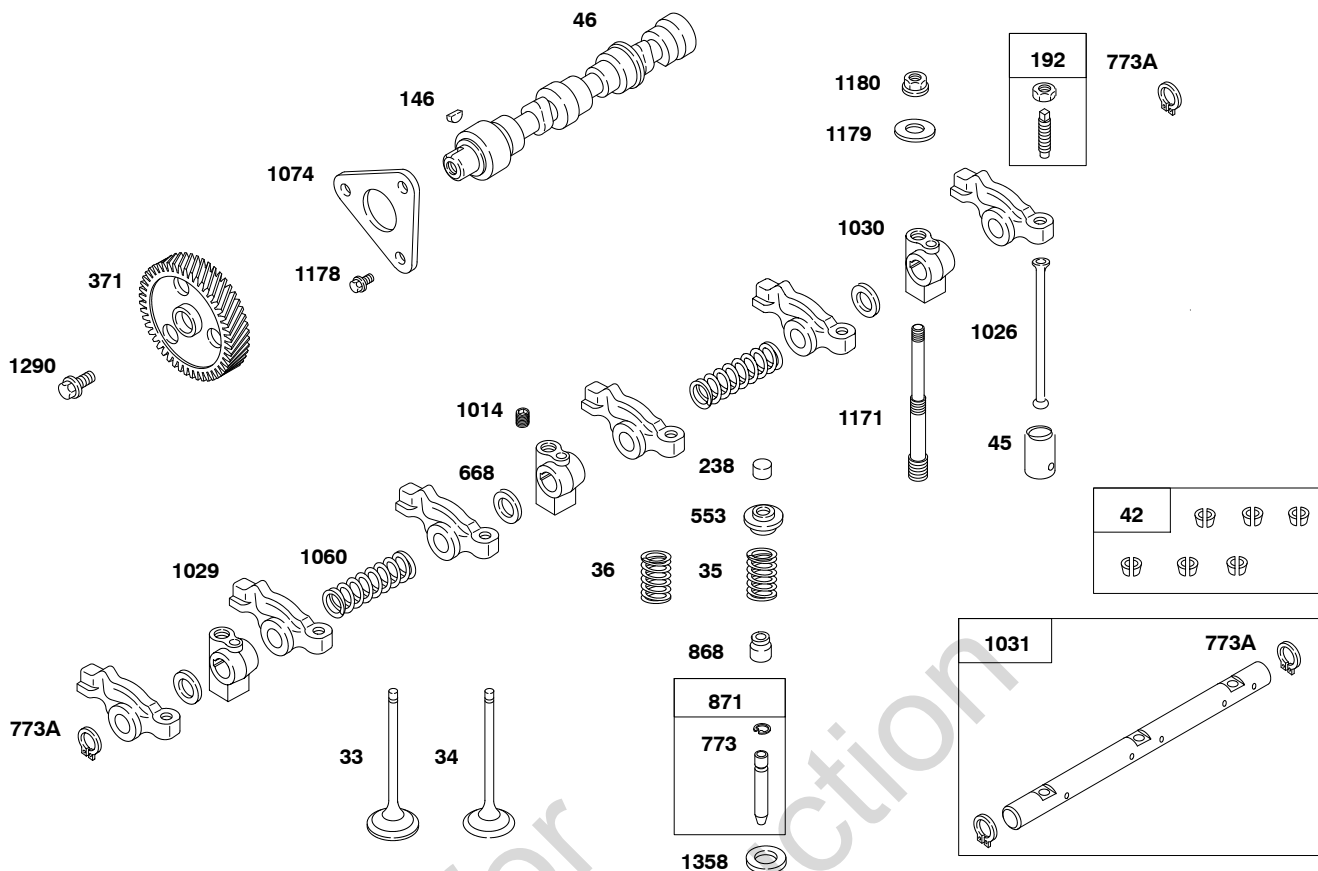
| REF. NO. | PART NO. | DESCRIPTION | REF. NO. | PART NO. | DESCRIPTION | REF. NO. | PART NO. | DESCRIPTION |
|----------|----------|----------------------------------------------------------------------------------------------------------------------------|----------|----------|----------------------------------------------------------------------------------------------------------------------------------------|----------|----------|-------------------------------------|
| 187 | 825741 | Line-Fuel (Used After Code Date 06053100). ----- Note ----- 825179 Line-Fuel (Used Before Code Date 06060100). | 1107 | 825754 | Nozzle-Injector (Used After Code Date 07063000). ----- Note ----- 825178 Nozzle-Injector (Used Before Code Date 07070100). | 1108 | 820411 | Seat-Injector |
| 240 | 825219 | Filter-Fuel | | | | 1109 | 825194 | Pipe-Injector # 1 |
| 240A | 820311 | Filter-Fuel | | | | 1109A | 825195 | Pipe-Injector # 2 |
| 241 | 821251 | Cover-Fuel Filter | | | | 1109B | 825196 | Pipe-Injector # 3 |
| 813 | 825197 | Clamp | | | | 1111 | 820412 | Pipe-Fuel Return |
| 1084C | 825156 | Connector-Terminal | | | | 1112 | 825198 | Plug-Vent |
| 1103 | 820347 | Sensor-Fuel Filter | | | | 1162 | 820348 | Seal-O Ring (Fuel Filter Sensor) |
| 1105 | 821308 | Plug-Glow | | | | 1165 | 820031 | Screw (Clamp) |
| 1106 | 820409 | Strap-Glow Plug | | | | 1219 | 820829 | Nut (Injector Nozzle) |
| | | | | | | 1220 | 820831 | Washer (Injector Nozzle) |

Engine Gasket Set-Reference 358
Valve Gasket Set-Reference 1095



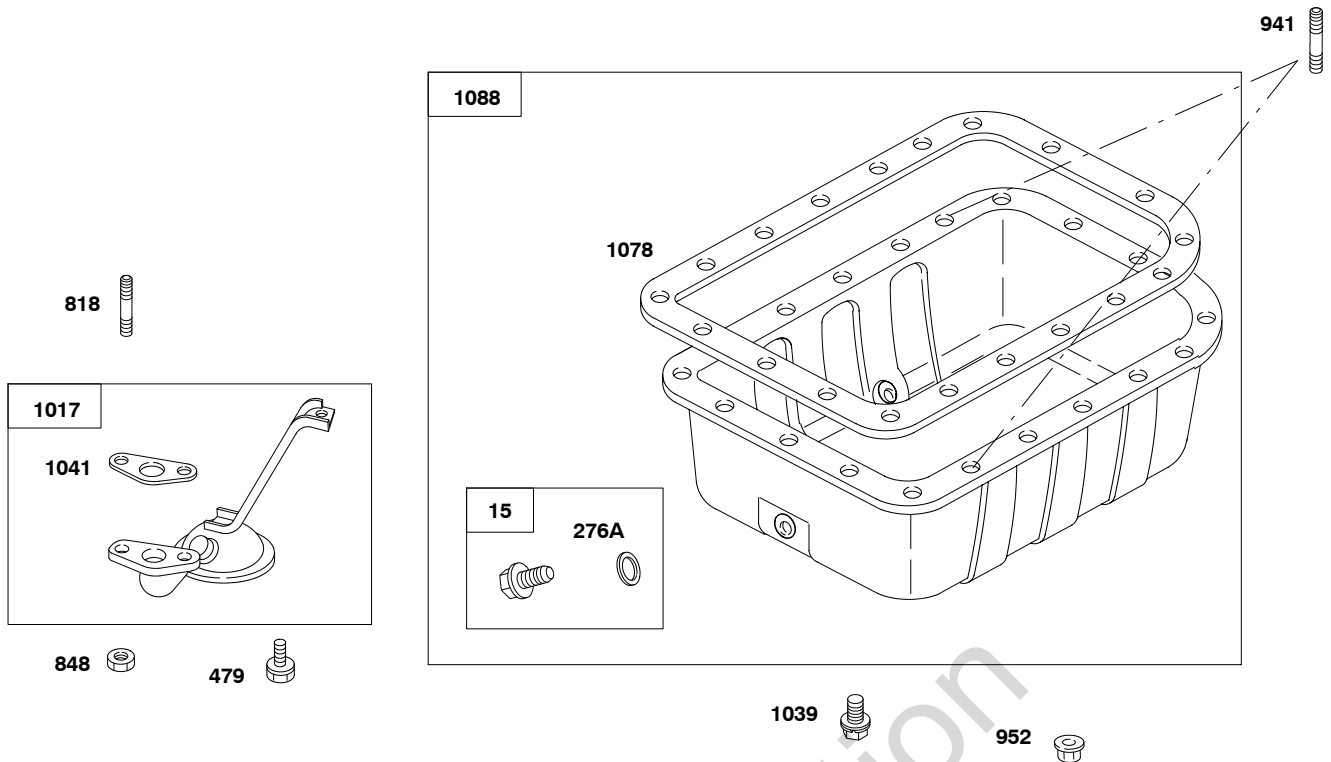
| REF. NO. | PART NO. | DESCRIPTION | REF. NO. | PART NO. | DESCRIPTION | REF. NO. | PART NO. | DESCRIPTION |
|----------|----------|---------------------------------------|----------|----------|----------------------------------------------------------------------------------------------------------------------|----------|----------|-------------------------------------------------------------------------------------------------|
| 259 | 820634 | Bracket-Casing Clamp | 1110 | 825747 | Pump-Fuel Injection (Used After Code Date 07063000). Used on Type No(s). 0105, 0111, 0112, 0376. | | | 825749 Pump-Fuel Injection (Used After Code Date 07063000). Used on Type No(s). 0107. |
| 265 | 691024 | Clamp-Casing | | | | | | 825326 Pump-Fuel Injection (Used Before Code Date 07070100). Used on Type No(s). 0107. |
| 267 | 820012 | Screw (Casing Clamp) | | | | | | |
| 377 | 821064 | Key-Woodruff (Fuel Injection Pump) | | | | | | |
| 652 | 820593 | Screw (Support Bracket) | | | | | | |
| 652A | 820180 | Screw (Support Bracket) | | | | | | |
| 743 | 820619 | Gear-Drive | | | | | | |
| 890 | 820415 | Bracket-Support | | | | | | |
| 890A | 820479 | Bracket-Support | | | | | | |
| 940 | 820640 | Screw (Casing Clamp Bracket) | | | | | | |
| 1008 | 820467 | Clamp-Swivel | | | | | | |
| | | | | | 825748 Pump-Fuel Injection (Used After Code Date 07063000). Used on Type No(s). 0106, 0314, 0414. | 1163 | 820414 | Seal-O Ring (Injection Pump Shaft) |
| | | | | | 825317 Pump-Fuel Injection (Used Before Code Date 07070100). Used on Type No(s). 0106, 0109, 0314, 0414. | 1164 | 820419 | Nut (Injection Pump Shaft) |
| | | | | | | 1166 | 820417 | Nut (Injection Pump) |

Engine Gasket Set-Reference 358
Valve Gasket Set-Reference 1095



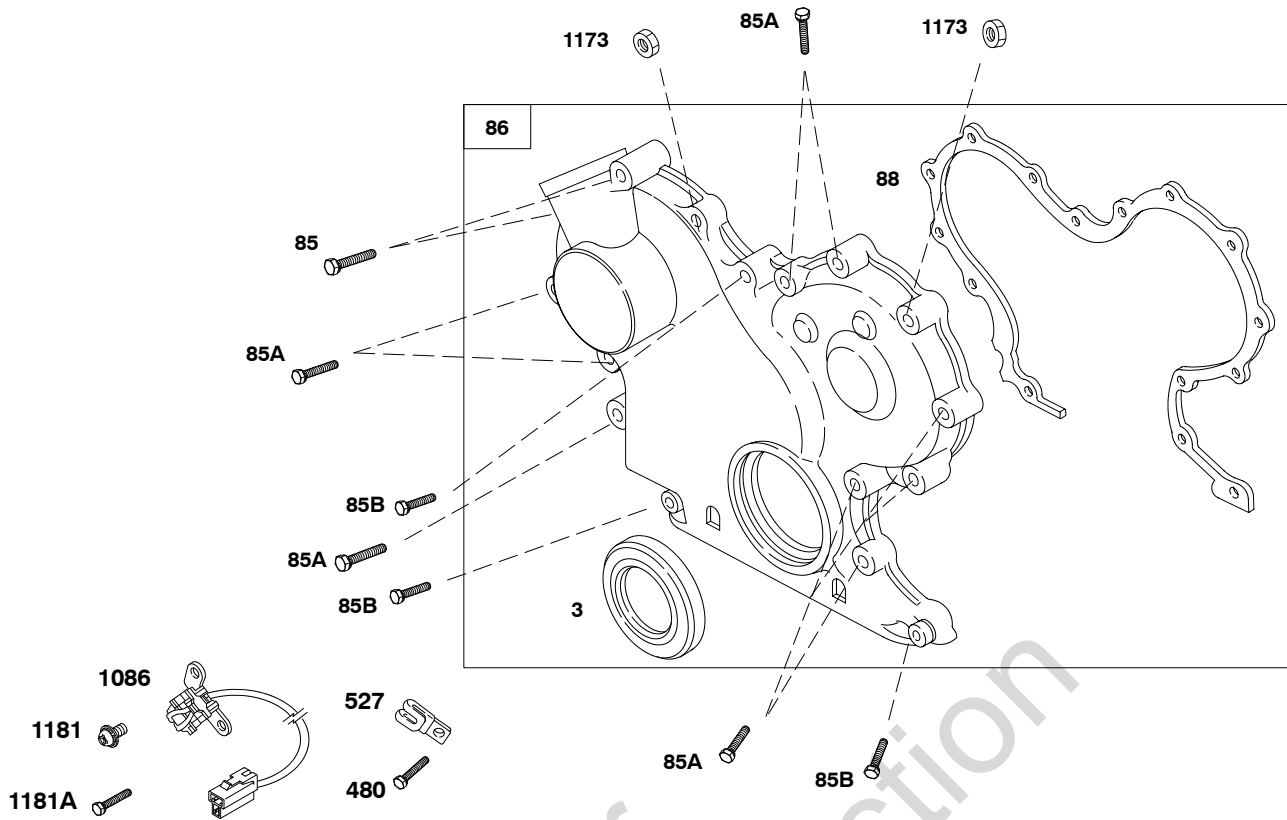
| REF. NO. | PART NO. | DESCRIPTION | REF. NO. | PART NO. | DESCRIPTION | REF. NO. | PART NO. | DESCRIPTION |
|----------|----------|--------------------------------------------------------------|----------|----------|----------------------------------------------------|----------|----------|---------------------------------------------------|
| 33 | 820404 | Valve-Exhaust | 238 | 821214 | Cap-Valve | 1026 | 821218 | Rod-Push |
| 34 | 820403 | Valve-Intake | | | (Used After Code Date 04083100). | | | (Used After Code Date 04083100). |
| 35 | 820406 | Spring-Valve (Intake) | | | ----- Note ----- | | | ----- Note ----- |
| 36 | 820406 | Spring-Valve (Exhaust) | | | 820113 Cap-Valve (Used Before Code Date 04090100). | | | 820422 Rod-Push (Used Before Code Date 04090100). |
| 42 | 825082 | Keeper-Valve | 371 | 820613 | Gear-Cam | 1029 | 820387 | Arm-Rocker |
| 45 | 820110 | Tappet-Valve | 553 | 820111 | Retainer-Valve Spring | 1030 | 820106 | Support-Rocker Arm |
| 46 | 820388 | Camshaft | 668 | 820065 | Spacer (Rocker Arm Shaft) | 1031 | 825093 | Shaft-Rocker Arm |
| 146 | 691639 | Key-Timing | 773 | 820130 | Retainer (Valve Guide Bushing) | 1060 | 820044 | Spring-Rocker Shaft |
| 192 | 825688 | Adjuster-Rocker Arm (Used After Code Date 04083100). | 773A | 820003 | Retainer (Rocker Arm Shaft) | 1074 | 820118 | Retainer-Camshaft |
| | | ----- Note ----- | 868 | 820405 | Seal-Valve | 1171 | 820076 | Stud (Rocker Cover) |
| | | 825041 Adjuster-Rocker Arm (Used Before Code Date 04090100). | 871 | 825030 | Bushing-Valve Guide | 1178 | 820032 | Screw (Camshaft Retainer) |
| | | | 1014 | 820105 | Screw (Rocker Arm Support) | 1179 | 820177 | Washer (Rocker Arm Support) |
| | | | | | | 1180 | 820070 | Nut (Rocker Arm Support) |
| | | | | | | 1290 | 820075 | Screw (Cam Gear) |
| | | | | | | 1358 | 820112 | Seat-Valve Spring |

Engine Gasket Set-Reference 358
 Valve Gasket Set-Reference 1095



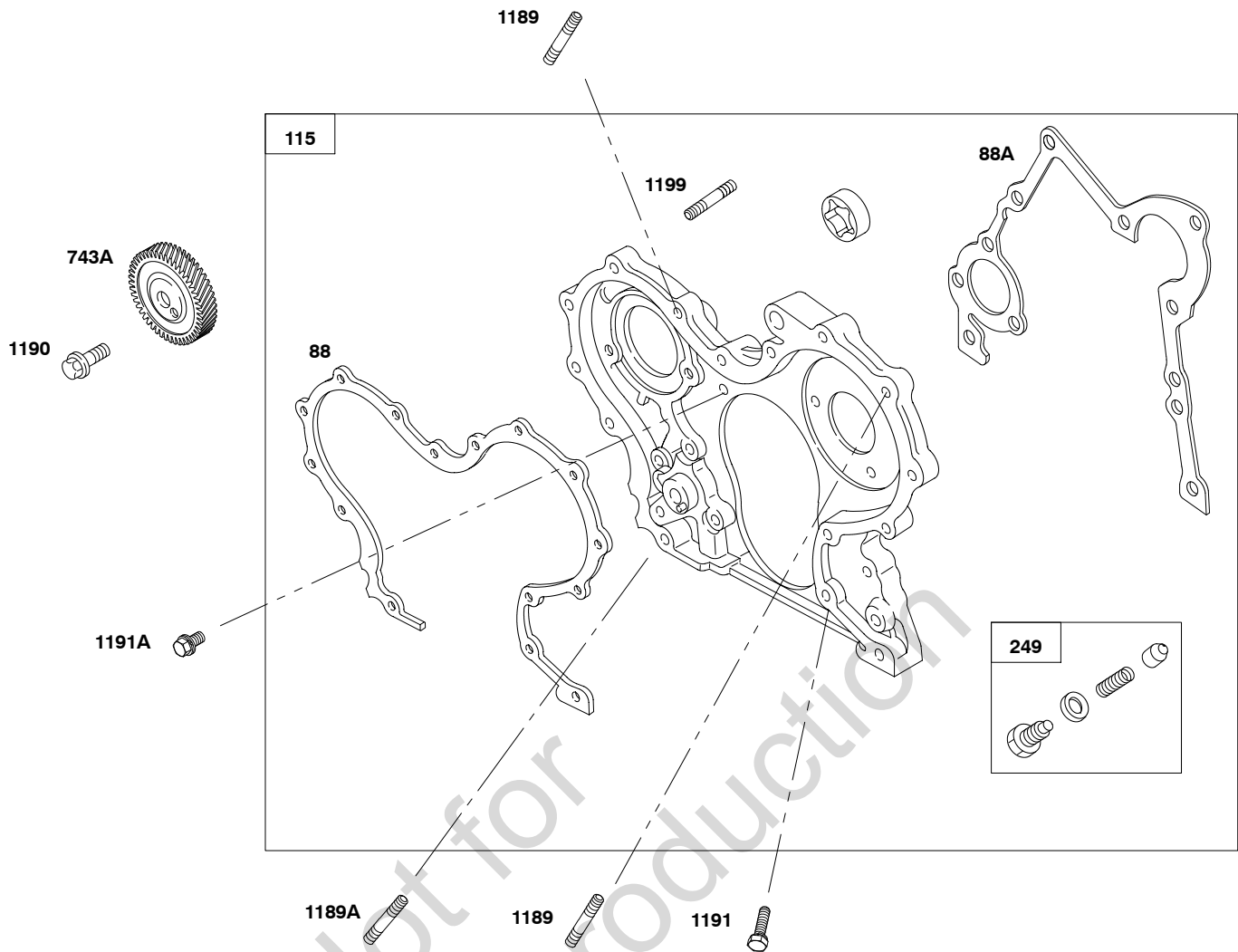
| REF. NO. | PART NO. | DESCRIPTION | REF. NO. | PART NO. | DESCRIPTION | REF. NO. | PART NO. | DESCRIPTION |
|----------|----------|---------------------------------|----------|----------|-----------------------|----------|----------|------------------------|
| 15 | 825278 | Plug-Oil Drain | 848 | 820069 | Nut (Oil Pump Screen) | 1017 | 825089 | Screen-Oil Pump |
| 276A | 820582 | Washer-Sealing (Oil Drain Plug) | 941 | 820017 | Stud (Oil Pan) | 1039 | 821233 | Screw (Oil Pan) |
| 479 | 821233 | Screw (Oil Pump Screen) | 952 | 820068 | Nut (Oil Pan) | 1041 | 820104 | Gasket-Oil Pump Screen |
| 818 | 820016 | Stud (Oil Pump Screen) | | | | 1078 | 820137 | Gasket-Oil Pan |
| | | | | | | 1088 | 825734 | Pan-Oil (Dual Drain) |

Engine Gasket Set-Reference 358
 Valve Gasket Set-Reference 1095



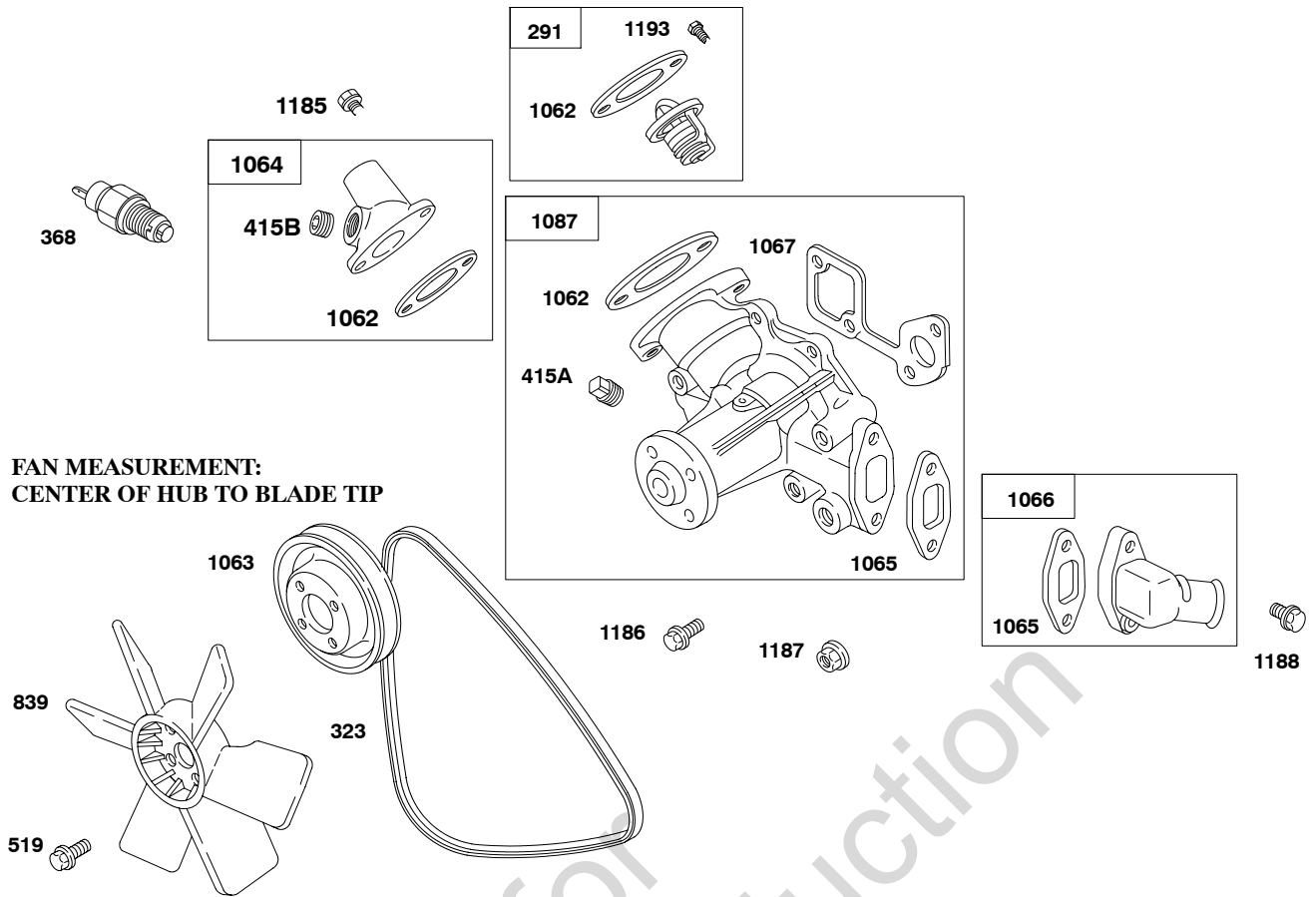
| REF. NO. | PART NO. | DESCRIPTION | REF. NO. | PART NO. | DESCRIPTION | REF. NO. | PART NO. | DESCRIPTION |
|----------|----------|-------------------------------------------|----------|----------|-------------------------------------------|----------|----------|--------------------------|
| 3 | 821326 | Seal-Oil (Magneto Side) | 85B | 820027 | Screw (Gear Cover to Gear Reduction Case) | 527 | 820047 | Clamp-Tube |
| 85 | 820425 | Screw (Gear Cover to Gear Reduction Case) | 86 | 825758 | Cover-Gear | 1086 | 825009 | Trigger-Ignition |
| 85A | 820029 | Screw (Gear Cover to Gear Reduction Case) | 88 | 820377 | Gasket-Gear Reduction Cover | 1173 | 820069 | Nut (Gear Cover) |
| | | | 480 | 820029 | Screw (Tube Clamp) | 1181 | 820013 | Screw (Ignition Trigger) |
| | | | | | | 1181A | 820029 | Screw (Ignition Trigger) |

Engine Gasket Set-Reference 358
 Valve Gasket Set-Reference 1095



| REF. NO. | PART NO. | DESCRIPTION | REF. NO. | PART NO. | DESCRIPTION | REF. NO. | PART NO. | DESCRIPTION |
|----------|----------|---------------------------------|------------------|----------|--------------------------------------------------------------|----------|----------|---------------------------------------------------------------|
| 88 | 820377 | Gasket- Gear Reduction Cover | 1189 | 820156 | Stud (Gear Housing) | 1191 | 820030 | Screw (Gear Housing) |
| 88A | 820155 | Gasket- Gear Reduction Cover | 1189A | 820016 | Stud (Gear Housing) | 1191A | 820033 | Screw (Gear Housing) |
| 115 | 825186 | Housing-Gear | 1190 | 820272 | Screw (Drive Gear) (Used After Code Date 04083100). | 1199 | 820426 | Stud (Injection Pump) |
| 249 | 825032 | Valve-Pressure Relief | ----- Note ----- | | | | | |
| 743A | 820615 | Gear-Drive (Gear Housing) | | | 820182 | | | Screw (Drive Gear) (Used Before Code Date 04090100). |

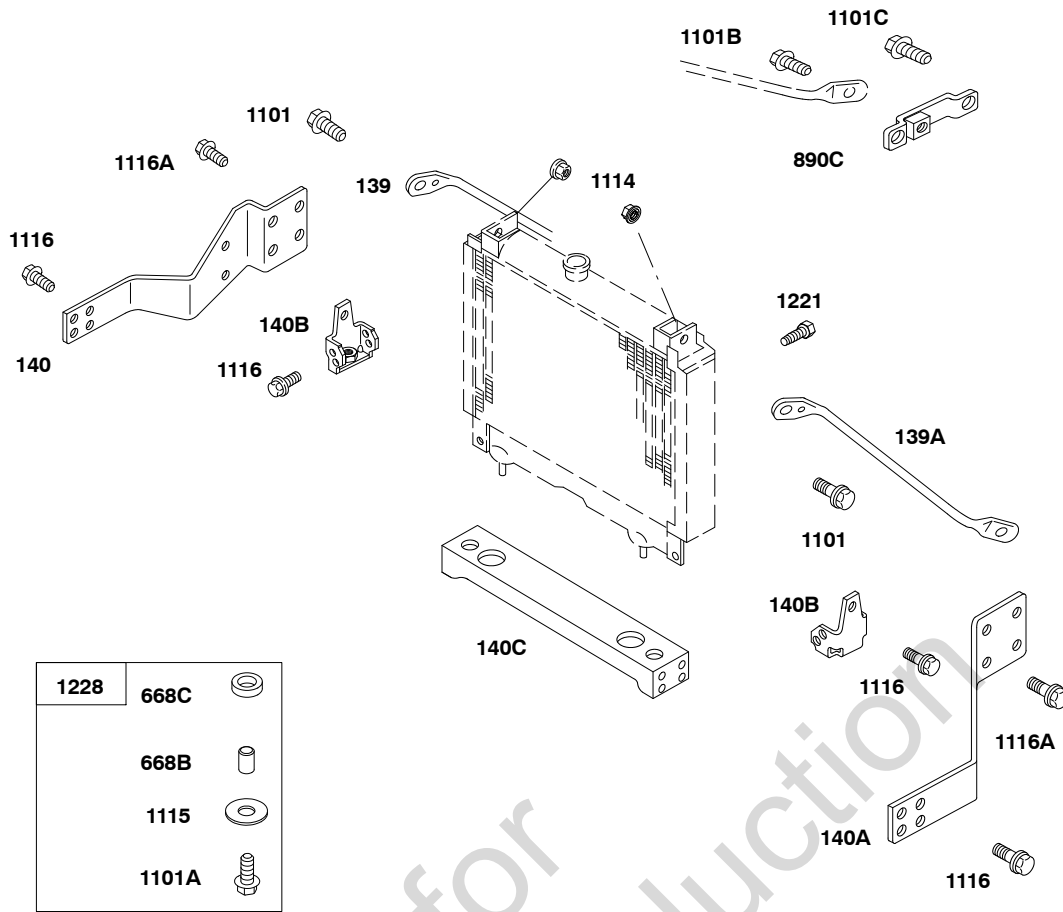
Engine Gasket Set-Reference 358
Valve Gasket Set-Reference 1095



FAN MEASUREMENT:
CENTER OF HUB TO BLADE TIP

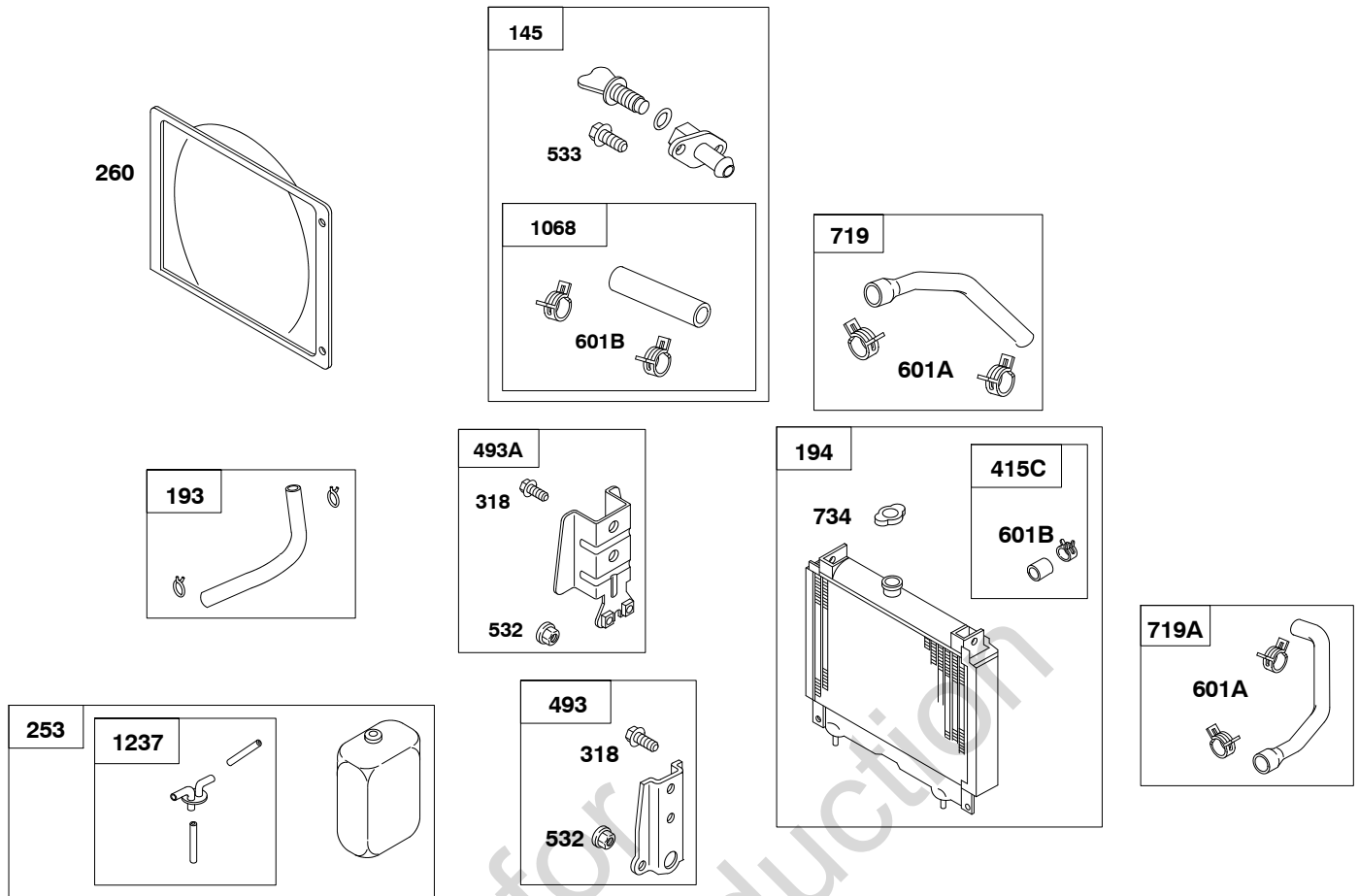
| REF. NO. | PART NO. | DESCRIPTION | REF. NO. | PART NO. | DESCRIPTION | REF. NO. | PART NO. | DESCRIPTION |
|----------|----------|---------------------------------------------|----------|----------|---------------------------------------|----------|----------|---------------------------------------------------|
| 291 | 825064 | Thermostat | 839 | 825454 | Fan-Radiator (320mm) | 1065 | 820098 | Gasket-Inlet Housing |
| 323 | 821075 | Belt-Vee (940mm) | | | ----- Note ----- | 1066 | 825051 | Housing-Inlet |
| | | ----- Note ----- | | | 825223 Fan-Radiator (290mm) | 1067 | 820100 | Gasket-Water Pump |
| | | 820664 Belt-Vee (930mm) | | | Used on Type No(s). 0106, 0109. | 1087 | 825265 | Pump-Water |
| | | Used on Type No(s). 0107, 0314, 0407, 0414. | | | 825435 Fan-Radiator (280mm) | | | ----- Note ----- |
| 368 | 820208 | Switch-Water Temperature (115 Degree) | | | Used on Type No(s). 0107, 0407. | | | 825432 Pump-Water Used on Type No(s). 0107, 0314. |
| 415A | 820182 | Plug (Water Pump) | | | 825538 Fan-Radiator (310mm Pusher) | 1185 | 820031 | Screw (Outlet Housing) |
| 415B | 820052 | Plug (Outlet Housing) | | | Used on Type No(s). 0376. | 1186 | 820022 | Screw (Water Pump) |
| 519 | 821233 | Screw (Radiator Fan) | 1062 | 820093 | Gasket-Outlet Housing | 1187 | 820181 | Nut (Water Pump) |
| | | | 1063 | 820095 | Pump-Pulley | 1188 | 820031 | Screw (Inlet Housing) |
| | | | 1064 | 825074 | Housing-Outlet | 1193 | 820185 | Screw (Thermostat) |
| | | | | | ----- Note ----- | | | |
| | | | | | 825267 Housing-Outlet | | | |
| | | | | | Used on Type No(s). 0111, 0314, 0414. | | | |

Engine Gasket Set-Reference 358
Valve Gasket Set-Reference 1095



| REF. NO. | PART NO. | DESCRIPTION | REF. NO. | PART NO. | DESCRIPTION | REF. NO. | PART NO. | DESCRIPTION |
|----------|----------|-------------------------------|----------|----------|----------------------------|------------------|----------|--------------------------------------------------------------------------|
| 139 | 820617 | Support-Radiator (Right Hand) | 890C | 820194 | Bracket-Support (Radiator) | 1116 | 820878 | Screw (Radiator Bracket) |
| 139A | 820191 | Support-Radiator (Left Hand) | 1101 | 820272 | Screw (Radiator Support) | 1116A | 820024 | Screw (Radiator Bracket) (Used With Engine Mounts Only) |
| 140 | 820192 | Bracket-Radiator (Right Hand) | 1101A | 820309 | Screw (Radiator Support) | ----- Note ----- | | |
| 140A | 820193 | Bracket-Radiator (Left Hand) | 1101B | 820273 | Screw (Radiator Support) | 820023 | 820023 | Screw (Radiator Bracket) (Used With Engine Mounts And Radiator Brackets) |
| 140B | 821039 | Bracket-Radiator | 1101C | 820452 | Screw (Radiator Support) | 1221 | 820865 | Screw (Fan Shroud) (340mm Fan) |
| 140C | 820255 | Bracket-Radiator (Front) | 1114 | 820070 | Nut (Radiator Support) | 1228 | 825135 | Mount-Radiator |
| 260 | 820863 | Shroud-Fan (340mm) | 1115 | 820296 | Washer (Radiator Support) | | | |
| 668B | 820307 | Spacer (Radiator Mount) | | | | | | |
| 668C | 820198 | Spacer (Radiator Mount) | | | | | | |

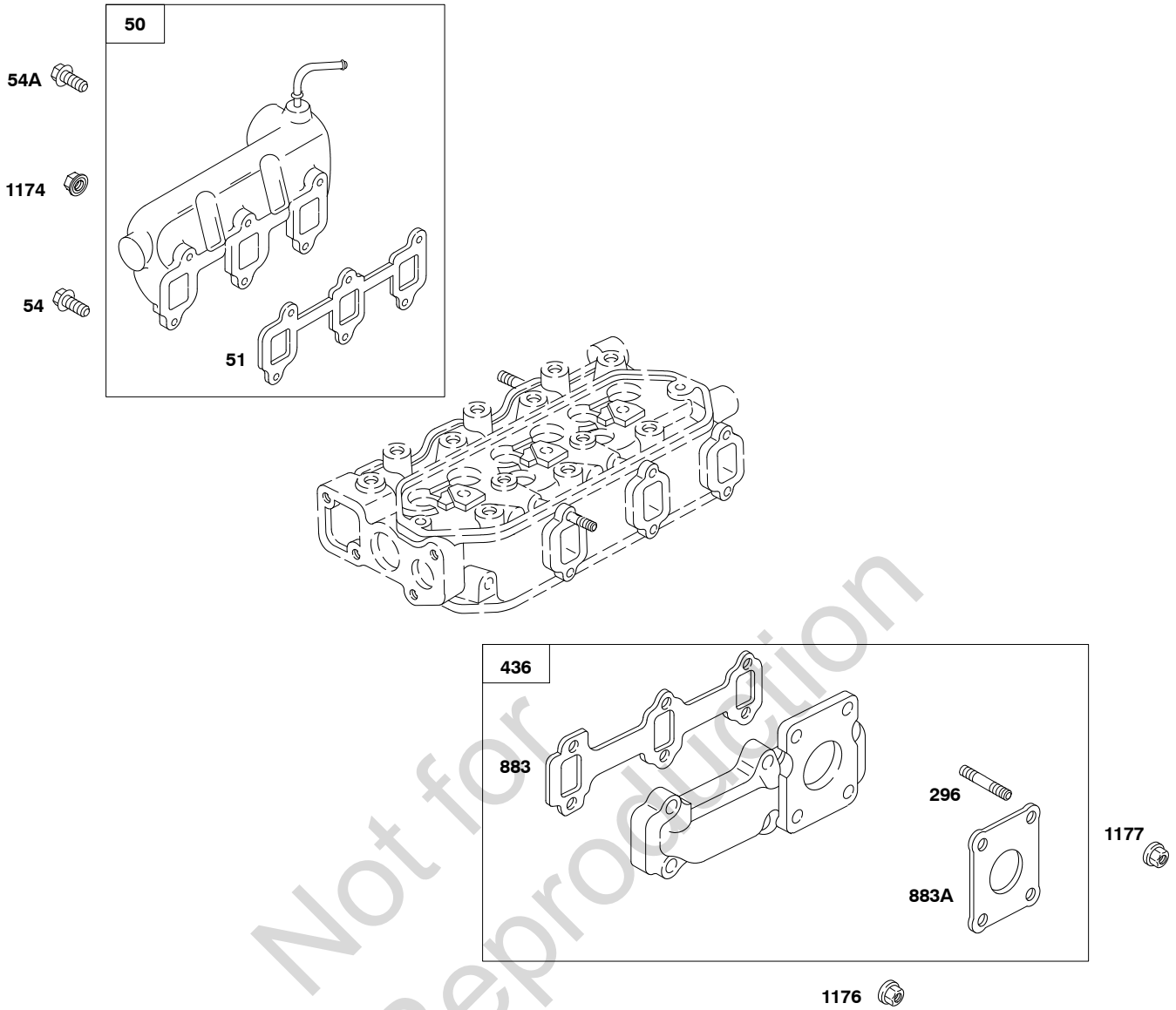
Engine Gasket Set-Reference 358
Valve Gasket Set-Reference 1095



| REF. NO. | PART NO. | DESCRIPTION | REF. NO. | PART NO. | DESCRIPTION | REF. NO. | PART NO. | DESCRIPTION |
|----------|----------|------------------------------------------------------|----------|----------|---------------------------------|----------|----------|---------------------|
| 145 | 825072 | Valve-Drain | 415C | 825075 | Plug (Radiator) | 601A | 820256 | Clamp-Hose |
| 193 | 825697 | Hose-Reserve Tank | 493 | 825106 | Bracket-Mounting (Reserve Tank) | 601B | 820201 | Clamp-Hose |
| 194 | 825574 | Radiator Used on Type No(s). 0376, 0406, 0476. | 493A | 825314 | Bracket-Mounting (Reserve Tank) | 719 | 821351 | Hose-Radiator |
| 253 | 825462 | Tank-Reserve | 532 | 820011 | Nut (Mounting Bracket) | 719A | 825671 | Hose-Radiator |
| 318 | 821233 | Screw (Mounting Bracket) | 533 | 821233 | Screw (Drain Valve) | 734 | 820258 | Cap-Radiator |
| | | | | | | 1068 | 825696 | Hose/Clamp Assembly |
| | | | | | | 1237 | 825461 | Cap/Hose-Reserve |

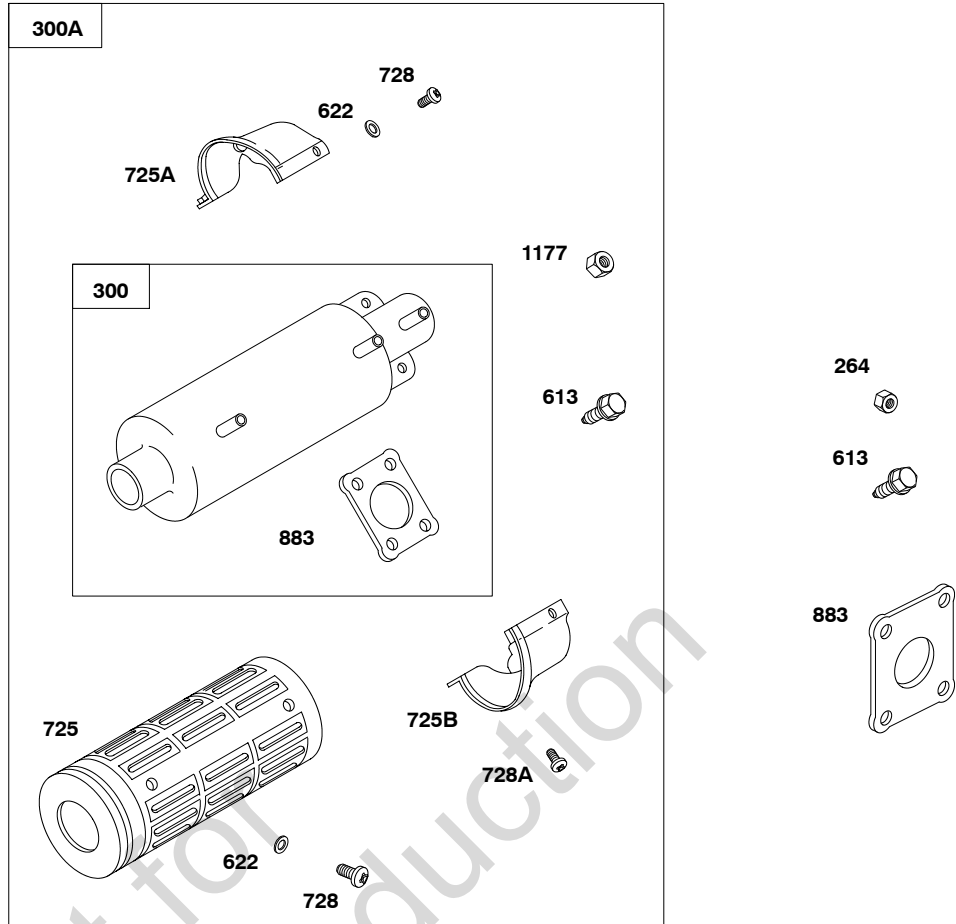
Engine Gasket Set-Reference 358
Valve Gasket Set-Reference 1095

522400



| REF. NO. | PART NO. | DESCRIPTION | REF. NO. | PART NO. | DESCRIPTION | REF. NO. | PART NO. | DESCRIPTION |
|----------|----------|-------------------------|----------|----------|-----------------------------------|----------|----------|------------------------|
| 50 | 825175 | Manifold-Intake | 296 | 820553 | Stud (Muffler) | 1174 | 820069 | Nut (Intake Manifold) |
| 51 | 820407 | Gasket-Intake | 436 | 825055 | Manifold-Exhaust | 1176 | 820010 | Nut (Exhaust Manifold) |
| 54 | 820031 | Screw (Intake Manifold) | 883 | 820817 | Gasket-Exhaust (Exhaust Manifold) | 1177 | 820178 | Nut (Muffler) |
| 54A | 820408 | Screw (Intake Manifold) | 883A | 821001 | Gasket-Exhaust (Muffler) | | | |

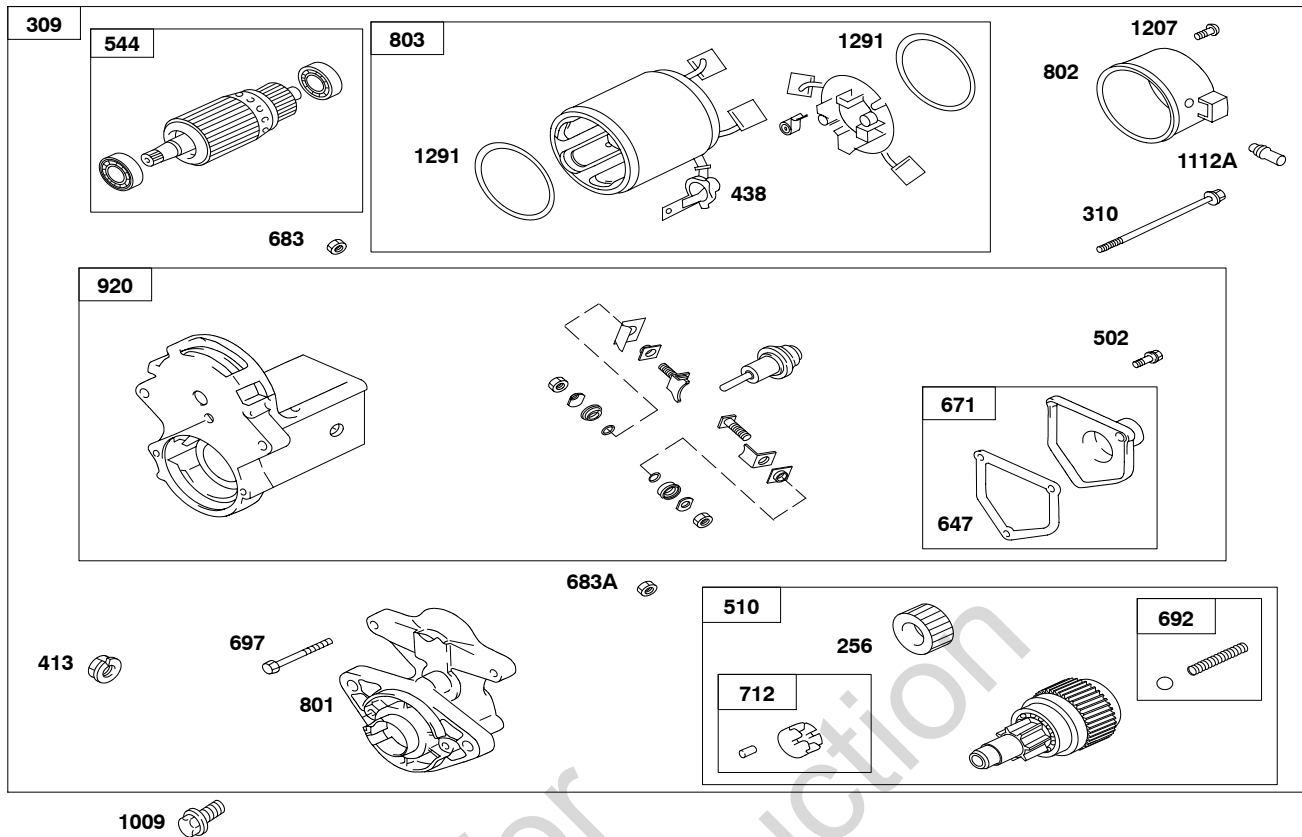
Engine Gasket Set-Reference 358
 Valve Gasket Set-Reference 1095



| REF. NO. | PART NO. | DESCRIPTION | REF. NO. | PART NO. | DESCRIPTION | REF. NO. | PART NO. | DESCRIPTION |
|----------|----------|--------------------------|----------|----------|-------------------------|----------|----------|------------------------|
| 264 | 820178 | Nut (Muffler Adapter) | 622 | 820631 | Washer (Heat Shield) | 728 | 821011 | Screw (Heat Shield) |
| 300 | 825550 | Muffler | 725 | 820628 | Shield-Heat | 728A | 820431 | Screw (Heat Shield) |
| 300A | 825200 | Muffler | 725A | 820630 | Shield-Heat | 883A | 821001 | Gasket-Exhaust |
| 613 | 820023 | Screw (Muffler) | 725B | 820629 | Shield-Heat | 1177 | 820178 | Nut (Muffler) |

Engine Gasket Set-Reference 358
Valve Gasket Set-Reference 1095

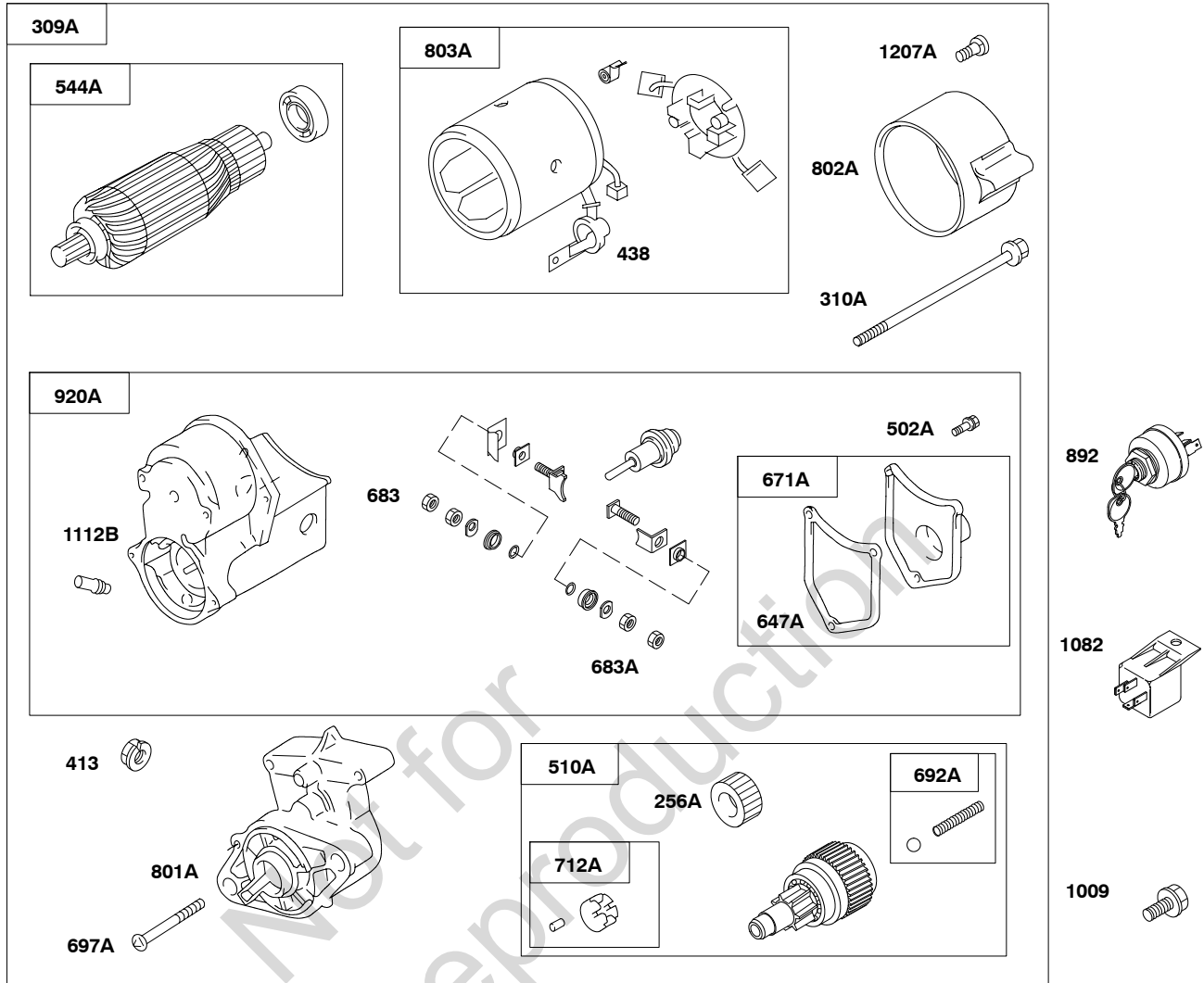
1.2 KW PURPLE/BROWN LABEL



| REF. NO. | PART NO. | DESCRIPTION | REF. NO. | PART NO. | DESCRIPTION | REF. NO. | PART NO. | DESCRIPTION |
|----------|----------|----------------------------------------------------------------------------------------------|----------|----------|-----------------------------------------------------------------------------------------|----------|----------|------------------------------------------------------------------------------------------------|
| 256 | 820767 | Gear-Starter Drive | 683 | 820067 | Nut (Starter Solenoid) (Terminal) (Used After Code Date 05022800). | 802 | 821231 | Cap-End (Used After Code Date 05022800). |
| 309 | 825700 | Motor-Starter | | | | | | ----- Note ----- 820771 Cap-End (Used Before Code Date 05030100). |
| 310 | 820773 | Bolt (Starter Motor) | | | | | | 803 825423 Housing-Starter |
| 413 | 820067 | Nut (Starter Motor) | | | | | | 920 825702 Solenoid-Starter (Used After Code Date 05022800). |
| 438 | 820725 | Boot-Terminal | | | | | | ----- Note ----- 825410 Solenoid-Starter (Used Before Code Date 05030100). |
| 502 | 820763 | Screw (Solenoid Cover) | 683A | 820721 | Nut (Starter Solenoid) (Terminal) | | | |
| 510 | 825406 | Drive-Starter | | | | | | |
| 544 | 825404 | Armatutre-Starter | 692 | 825402 | Spring-Detent | | | |
| 647 | 820719 | Gasket-Solenoid Cover | 697 | 820777 | Screw (Drive Cap) | 1009 | 820019 | Screw (Starter Motor) |
| 671 | 825703 | Cover-Solenoid (Used After Code Date 05022800). | 712 | 825401 | Roller-Clutch | 1112A | 820779 | Plug-Vent |
| | | ----- Note ----- 825422 Cover-Solenoid (Used Before Code Date 05030100). | 801 | 821228 | Cap-Drive (Used After Code Date 05022800). | 1207 | 820775 | Screw (End Cap) (Includes O-Ring Seal) |
| | | | | | ----- Note ----- 825408 Cap-Drive (Used Before Code Date 05030100). | 1291 | 820769 | Seal-O Ring (Starter Housing) |

Engine Gasket Set-Reference 358
Valve Gasket Set-Reference 1095

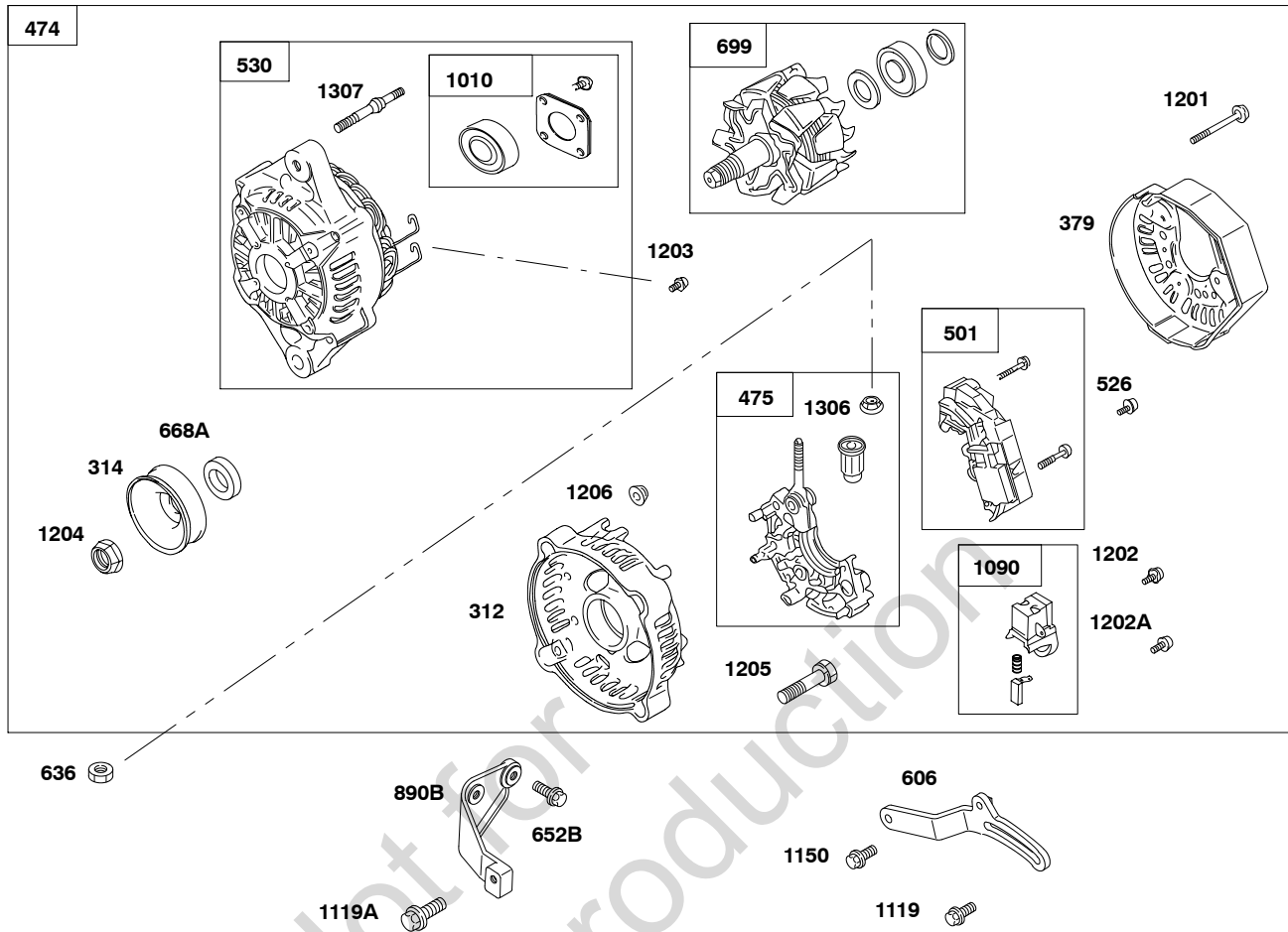
1.0KW BLUE/GREEN LABEL



| REF. NO. | PART NO. | DESCRIPTION | REF. NO. | PART NO. | DESCRIPTION | REF. NO. | PART NO. | DESCRIPTION |
|----------|----------|----------------------------------------------------------------------------------------------------------------------------|----------|----------|-----------------------------------------|----------|----------|-------------------------------------------------------------------|
| 256A | 820745 | Gear-Starter Drive | 510A | 825394 | Drive-Starter | 801A | 825396 | Cap-Drive |
| 309A | | Motor-Starter (For Replacement Starter Motor, Order Reference 309) Used on Type No(s). 0105, 0107, 0111, 0314, 0376. | 544A | 825392 | Armature-Starter | 802A | 820743 | Cap-End |
| | | | 647A | 820733 | Gasket-Solenoid Cover | 803A | 825399 | Housing-Starter (Includes Brushes, Springs and Brush Retainer) |
| 310A | 820755 | Bolt (Starter Motor) | 671A | 825400 | Cover-Solenoid | 892 | 692318 | Switch-Key |
| 413 | 820067 | Nut (Starter Motor) | 683 | 820723 | Nut (Starter Solenoid) (Terminal) | 920A | 825398 | Solenoid-Starter |
| 438 | 820725 | Boot-Terminal | 683A | 820721 | Nut (Starter Solenoid) (Terminal) | 1009 | 820019 | Screw (Starter Motor) |
| 502A | 820739 | Screw (Solenoid Cover) | 692A | 825425 | Spring-Detent | 1082 | 820455 | Relay-Starter |
| | | | 697A | 820751 | Screw (Drive Cap) | 1112B | 820737 | Plug-Vent |
| | | | 712A | 825424 | Roller-Clutch | 1207A | 820754 | Screw (End Cap) |

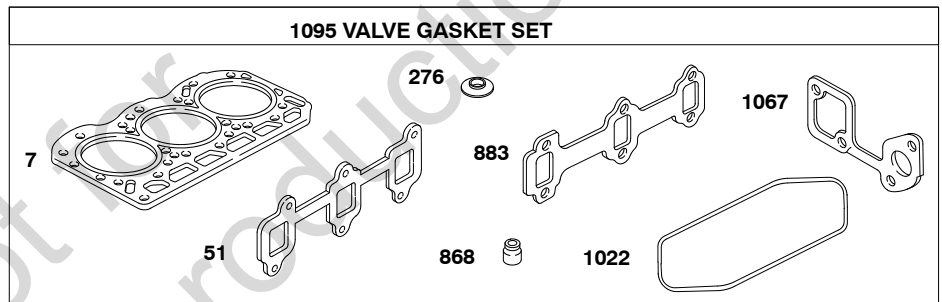
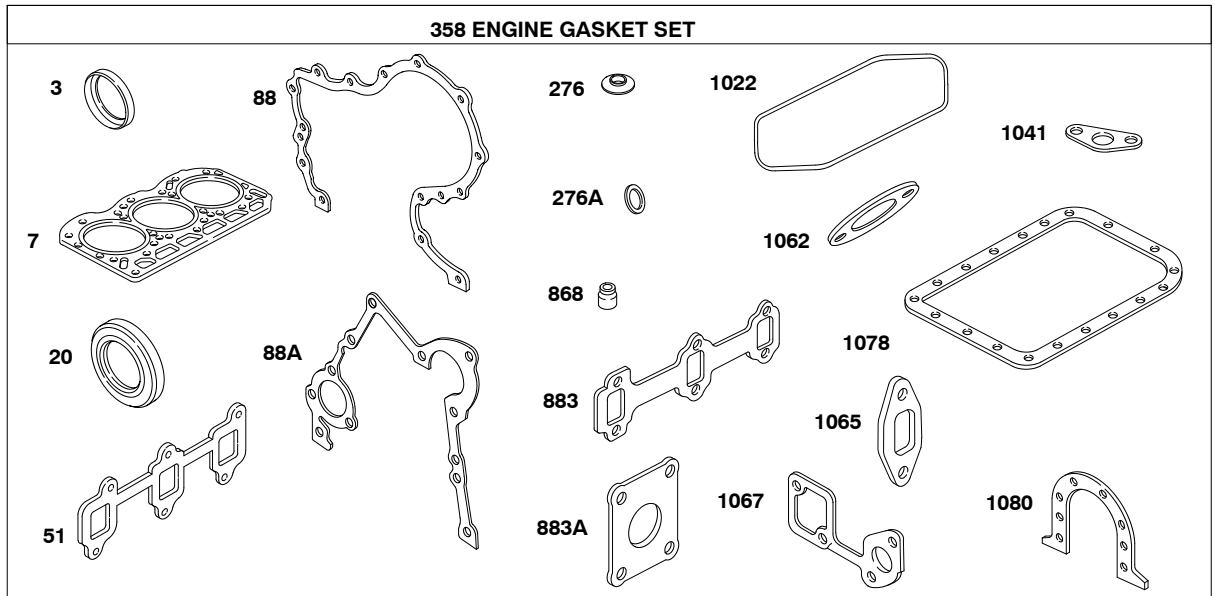
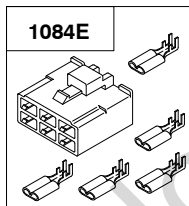
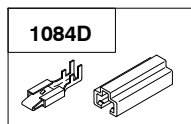
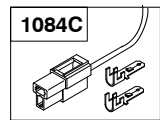
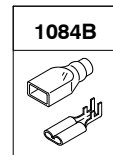
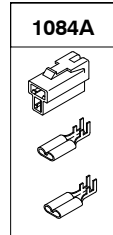
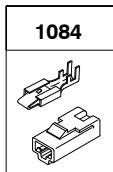
Engine Gasket Set-Reference 358
Valve Gasket Set-Reference 1095

40 AMP



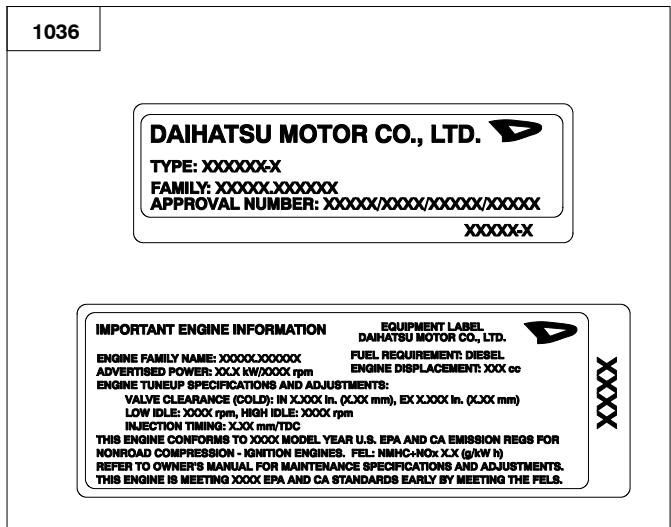
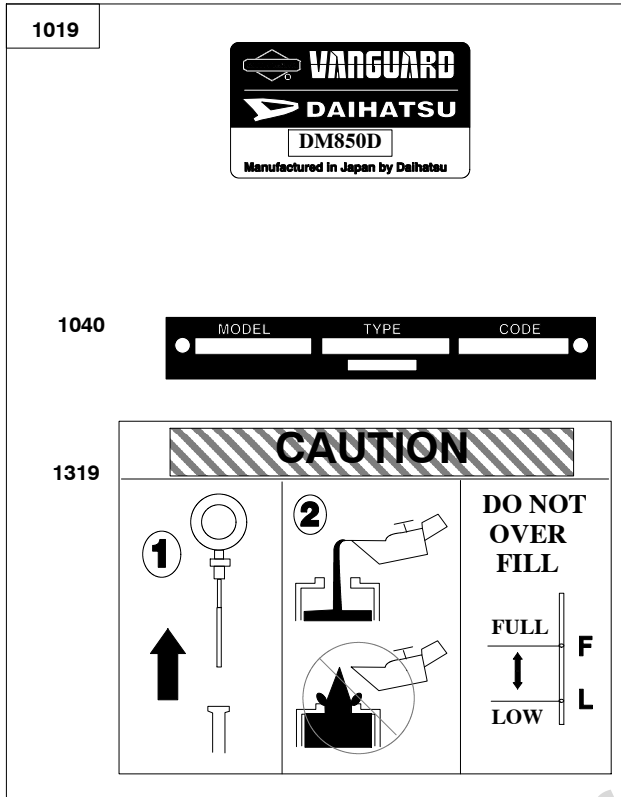
| REF. NO. | PART NO. | DESCRIPTION | REF. NO. | PART NO. | DESCRIPTION | REF. NO. | PART NO. | DESCRIPTION |
|----------|----------|----------------------------|----------|----------|----------------------------|----------|----------|------------------------------|
| 312 | 820692 | Housing-Brush End | 699 | 825390 | Rotor Assembly | 1203 | 820702 | Screw (Ground Terminal) |
| 314 | 820711 | Pulley-Alternator | 890B | 820213 | Bracket-Support | 1204 | 820705 | Nut (Alternator Pulley) |
| 379 | 820703 | Cover-Brush | 1010 | 825384 | Retainer-Bearing | 1205 | 820707 | Screw (Brush End Housing) |
| 474 | 825084 | Alternator | 1090 | 825387 | Retainer-Brush | 1206 | 820709 | Nut (Brush End Housing) |
| 475 | 825385 | Rectifier | 1119 | 820483 | Screw (Alternator) | 1306 | 820781 | Nut (Alternator) |
| 501 | 825388 | Regulator | 1119A | 820270 | Screw (Alternator) | 1307 | 820690 | Stud (Drive End Housing) |
| 526 | 820702 | Screw (Regulator) | 1150 | 820023 | Screw (Adjusting Strap) | | | |
| 530 | 825383 | Housing-Drive End | 1201 | 820715 | Screw (Brush Cover) | | | |
| 606 | 820819 | Strap-Adjusting | 1202 | 820701 | Screw (Brush Retainer) | | | |
| 636 | 820069 | Nut (Starting Switch) | 1202A | 820702 | Screw (Brush Retainer) | | | |
| 652B | 820275 | Screw (Support Bracket) | | | | | | |
| 668A | 820713 | Spacer (Alternator) | | | | | | |

Engine Gasket Set-Reference 358
Valve Gasket Set-Reference 1095



| REF. NO. | PART NO. | DESCRIPTION | REF. NO. | PART NO. | DESCRIPTION | REF. NO. | PART NO. | DESCRIPTION |
|----------|----------|---------------------------------|----------|----------|-----------------------------------|----------|----------|--------------------|
| 3 | 821326 | Seal-Oil (Magneto Side) | 358 | 825315 | Gasket Set-Engine | 1084 | 825266 | Connector-Terminal |
| 7 | 820621 | Gasket-Cylinder Head | 868 | 820405 | Seal-Valve | 1084A | 825157 | Connector-Terminal |
| 20 | 821328 | Seal-Oil (PTO Side) | 883 | 820817 | Gasket-Exhaust (Exhaust Manifold) | 1084B | 825160 | Connector-Terminal |
| 51 | 820407 | Gasket-Intake | 883A | 821001 | Gasket-Exhaust (Muffler) | 1084C | 825156 | Connector-Terminal |
| 88 | 820377 | Gasket-Gear Reduction Cover | 1022 | 820150 | Gasket-Rocker Cover | 1084D | 825154 | Connector-Terminal |
| 88A | 820155 | Gasket-Gear Reduction Cover | 1041 | 820104 | Gasket-Oil Pump Screen | 1084E | 825162 | Connector-Terminal |
| 276 | 820064 | Washer-Sealing (Rocker Cover) | 1062 | 820093 | Gasket-Outlet | 1095 | 825316 | Gasket Set-Valve |
| 276A | 820582 | Washer-Sealing (Oil Drain Plug) | 1065 | 820098 | Gasket-Inlet Housing | | | |
| | | | 1067 | 820100 | Gasket-Water Pump | | | |
| | | | 1078 | 820137 | Gasket-Oil Pan | | | |
| | | | 1080 | 820145 | Gasket-Seal Retainer | | | |

Engine Gasket Set-Reference 358
Valve Gasket Set-Reference 1095



1058 OPERATOR'S MANUAL

1330 REPAIR MANUAL

| REF. NO. | PART NO. | DESCRIPTION | REF. NO. | PART NO. | DESCRIPTION | REF. NO. | PART NO. | DESCRIPTION |
|----------|----------|-------------|----------|----------|------------------------------------------------------------------------|----------|----------|-----------------------------------------------------------------------------|
| 1019 | 825650 | Kit-Label | 1036 | | Label-Emissions (Available from a Briggs & Stratton Authorized Dealer) | 1040 | 820290 | Plate-Trim |
| | | | | | | 1058 | 277110 | Operator's Manual |
| | | | | | | 1319 | 821160 | Label-Warning |
| | | | | | | 1330 | MS1055 | Repair Manual (Refer to Repair Manual For Assembly and Torque Requirements) |

Engine Gasket Set-Reference 358
Valve Gasket Set-Reference 1095