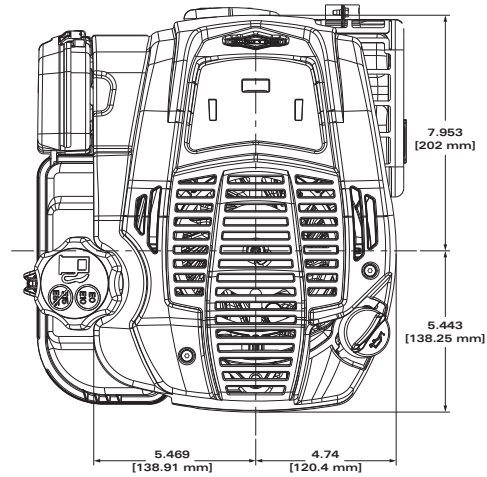
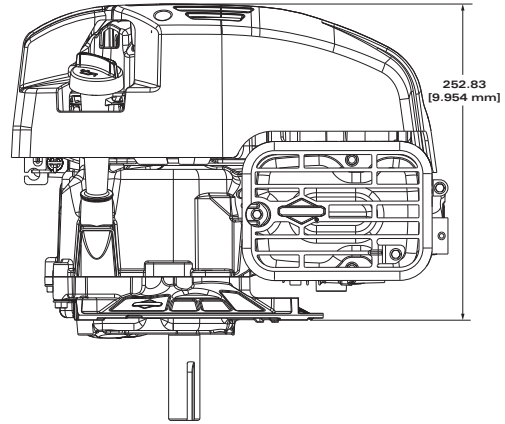


7.25 GROSS TORQUE*

163 CC

Bore 2.69 in. (68.28 mm)
 Stroke 1.75 in. (44.50 mm)
 Oil Capacity 15 fl. oz. (0.44 L)



FEATURES:

- ReadyStart® starting system with no prime, no choke, no worries, just pull for power
- Dual-sealing air cleaner for improved debris resistance and longer life
- Lightest engine in its class by 30% for easier maneuverability
- Acoustically-engineered muffler for quiet operation and excellent tonal quality
- Less vibration for more user comfort and enhanced engine life
- Mechanical Governor

Buyer protection package provides two-year limited consumer engine warranty**

MTT	Crankshaft #	P.T.O. Diameter	Drilled & Tapped	Keyway	Length	Starter Position	Ext. Starter Rope	Heavy Flywheel	Controls	5 Position Choke	Primer Carburetor	ReadyStart®	Oil Pump w/Filter	Fuel Tank (Quarts)	Top Governor Speed	CPSC Blade Break	Notes
104M02																	
0020-F1	594104	25mm	3/8-24	1/4-Sq	3-5/32	5:30	X	FC				X	1.09	3200		X	
0021-F1	595024	7/8 in.	3/8-24	3/16-Sq	3-5/32	5:30	X	FC				X	1.09	3200		X	
0028-F1	594507	25mm	7/16-20	3/16-Sq	3-5/32	5:30	X	FC				X	1.09	3000		X	
0083-F1	595177	7/8 in.		M14x1.5-6 ext thd	3-7/32	5:30	X	FC				X	1.09	3000			13
104M05																	
0082-F1	594507	25mm	7/16-20	3/16-Sq	3-5/32	5:30	X	FC				X	1.09	3000		X	2
0107-F1	594104	25mm	3/8-24	1/4-Sq	3-5/32	5:30	X	FC				X	1.09	3100		X	2
104M0B																	
0103-F1	594104	25mm	3/8-24	1/4-Sq	3-5/32				FC			X	1.09	3200		X	

*All power levels are stated gross torque at 2600 RPM per SAE J1940 as rated by Briggs & Stratton.

(2) Engine equipped with 12 volt Gear Drive Starter

(13) BBC Crankshaft

Engines in bold type have promotional pricing