



Illustrated Parts List

Model Series

122000

TYPE NUMBERS
0101 through 3783.

TABLE OF CONTENTS

Air Cleaner	6
Blower Housing	7
Camshaft	2
Carburetor	4
Controls	5
Crankcase Cover	2
Crankshaft	2
Cylinder	2
Cylinder Head	3
Electric Starter	7
Exhaust System	6
Flywheel	7
Fuel Supply	4
Gear Reduction	7
Governor Spring	5
Ignition	5
Kits/Gaskets - Carburetor	4
Kits/Gaskets - Engine	2
Kits/Gaskets - Valve	3
Lubrication	2
Piston Group	2
Rewind Starter	7



PRINTED IN U.S.A.

COPYRIGHT by BRIGGS & STRATTON CORPORATION
All rights reserved. No part of this material may be reproduced or transmitted,
in any form or by any means, electronic or mechanical, including photocopying,
recording or by any information storage and retrieval system, without permission
in writing from Briggs & Stratton Corporation.

1319 WARNING LABEL



REQUIRED when replacing parts with warning labels affixed.

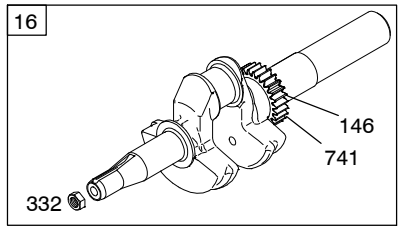
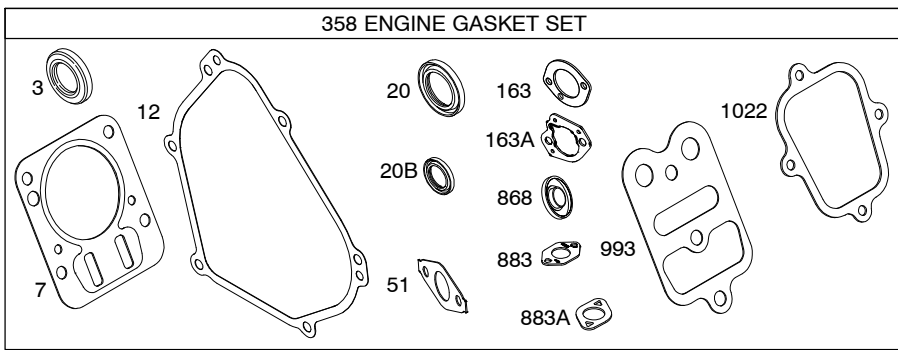
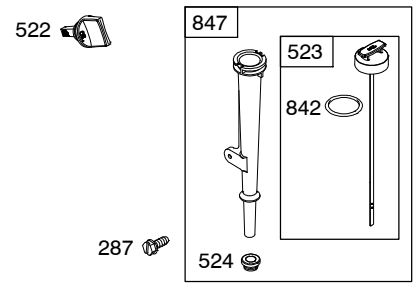
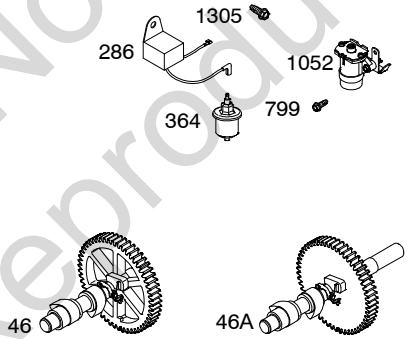
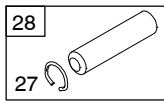
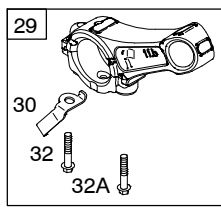
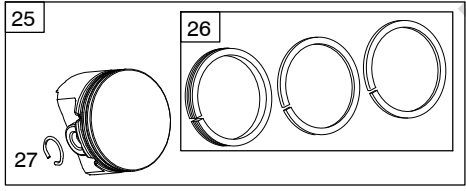
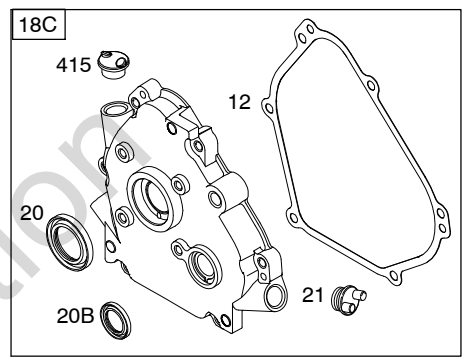
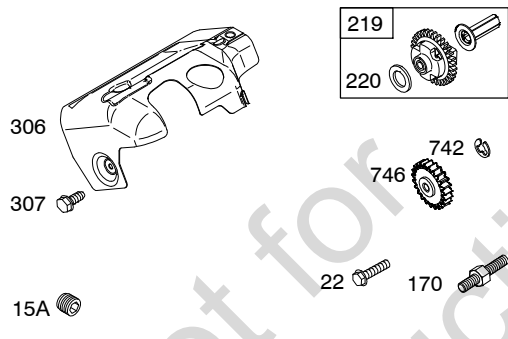
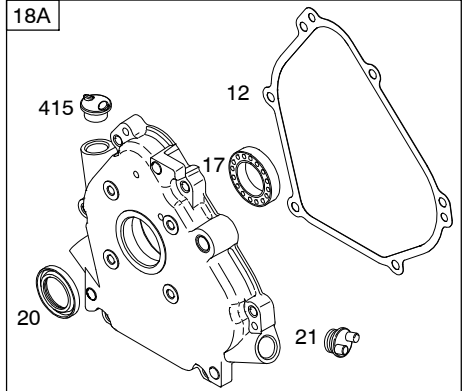
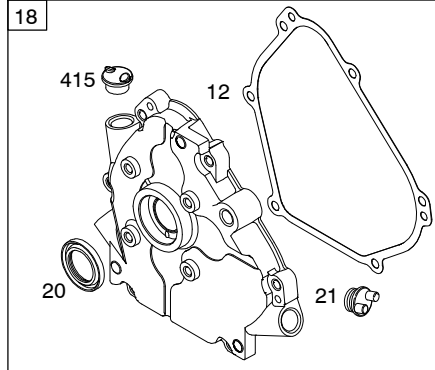
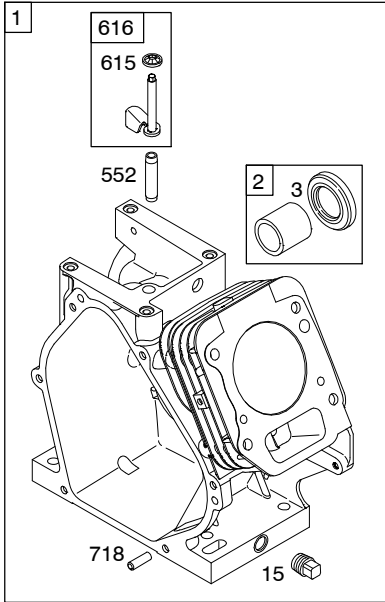
1058 OPERATOR'S MANUAL



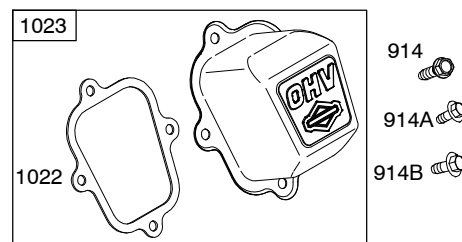
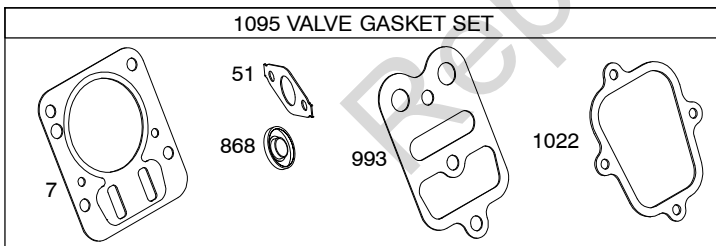
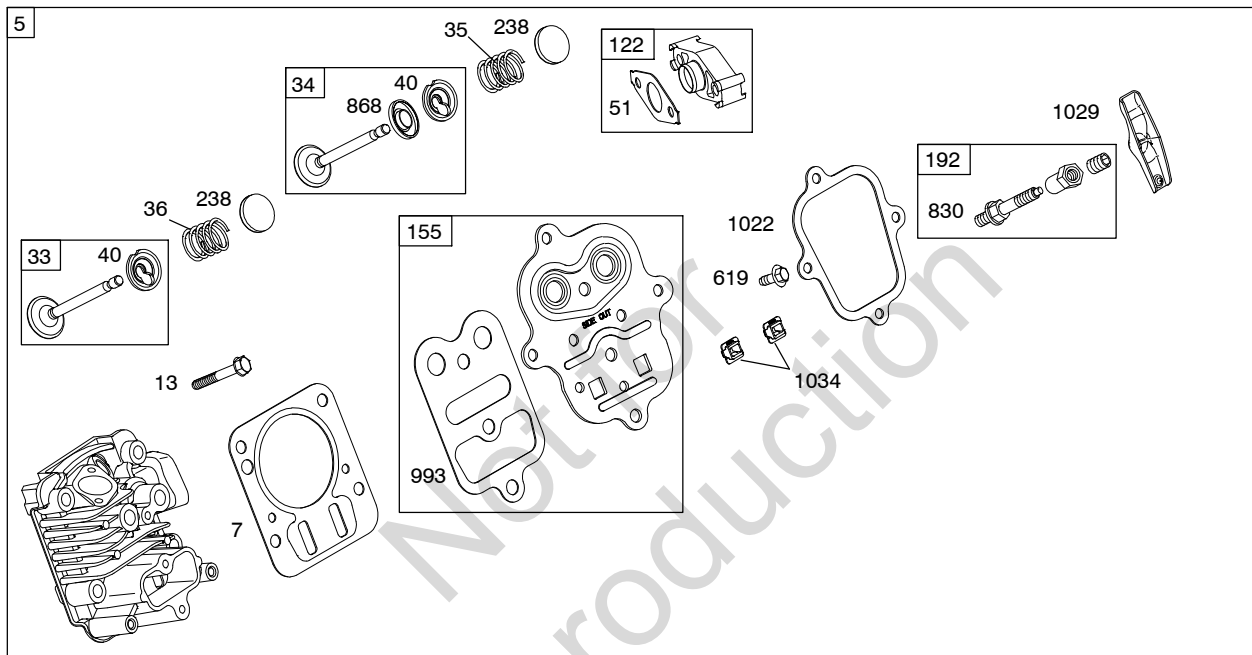
1330 REPAIR MANUAL



1019 LABEL KIT



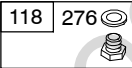
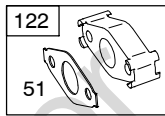
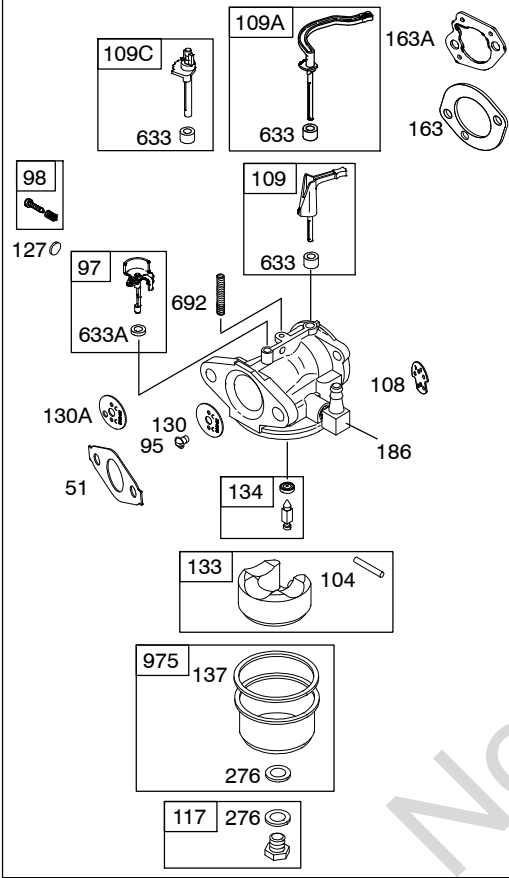
Illustrations cover a range of engines. Parts shown without corresponding text may not be used on your specific engine.
 3248-2 Assemblies include all parts shown in frames. 08/30/2010



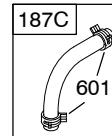
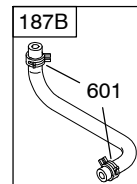
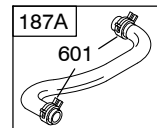
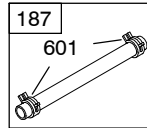
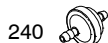
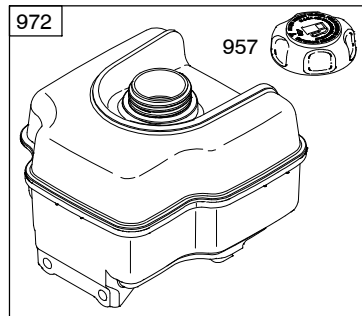
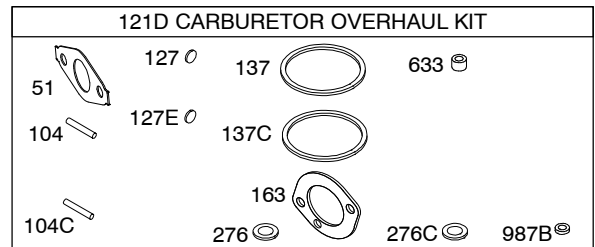
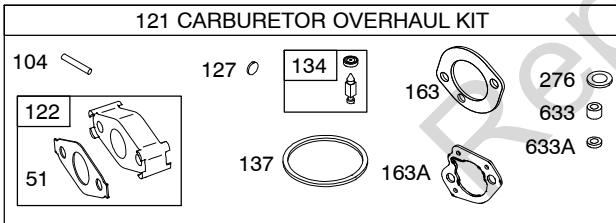
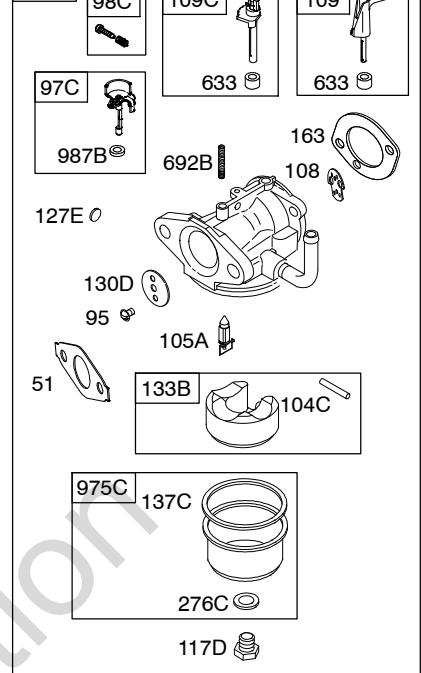
Illustrations cover a range of engines. Parts shown without corresponding text may not be used on your specific engine.

125

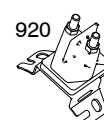
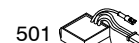
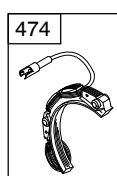
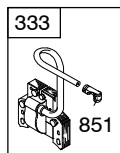
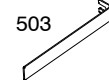
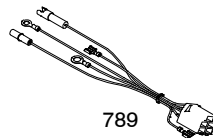
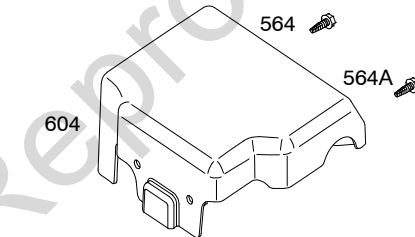
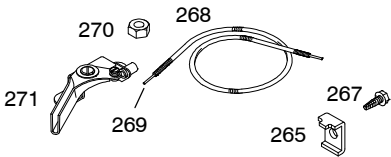
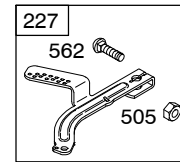
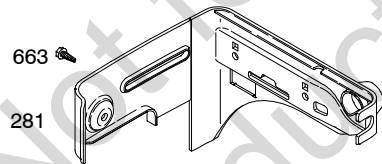
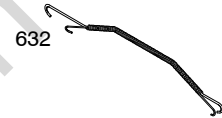
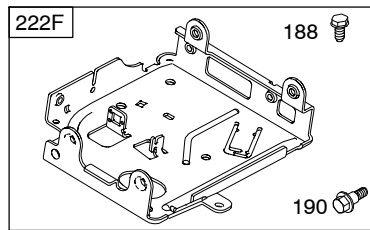
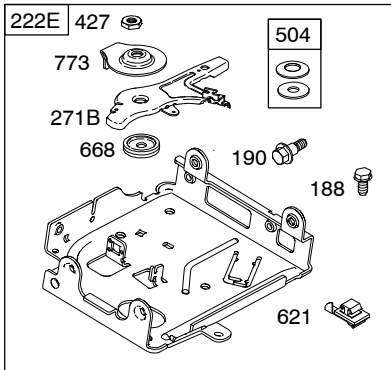
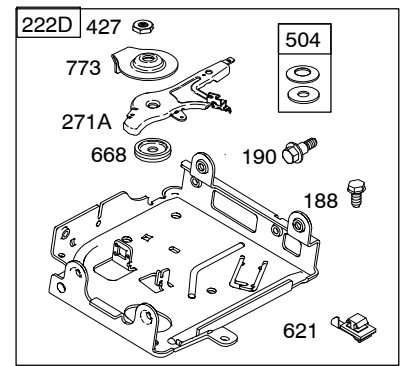
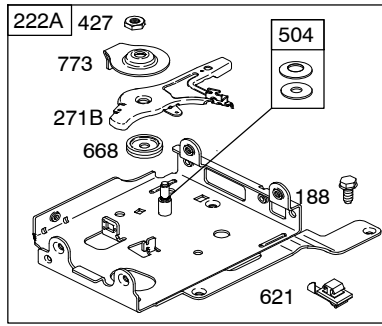
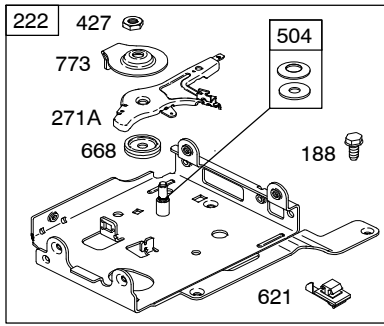
NOTE: This Illustration Represents Several Carburetors. Parts Shown May Not Be Included In All Kits.



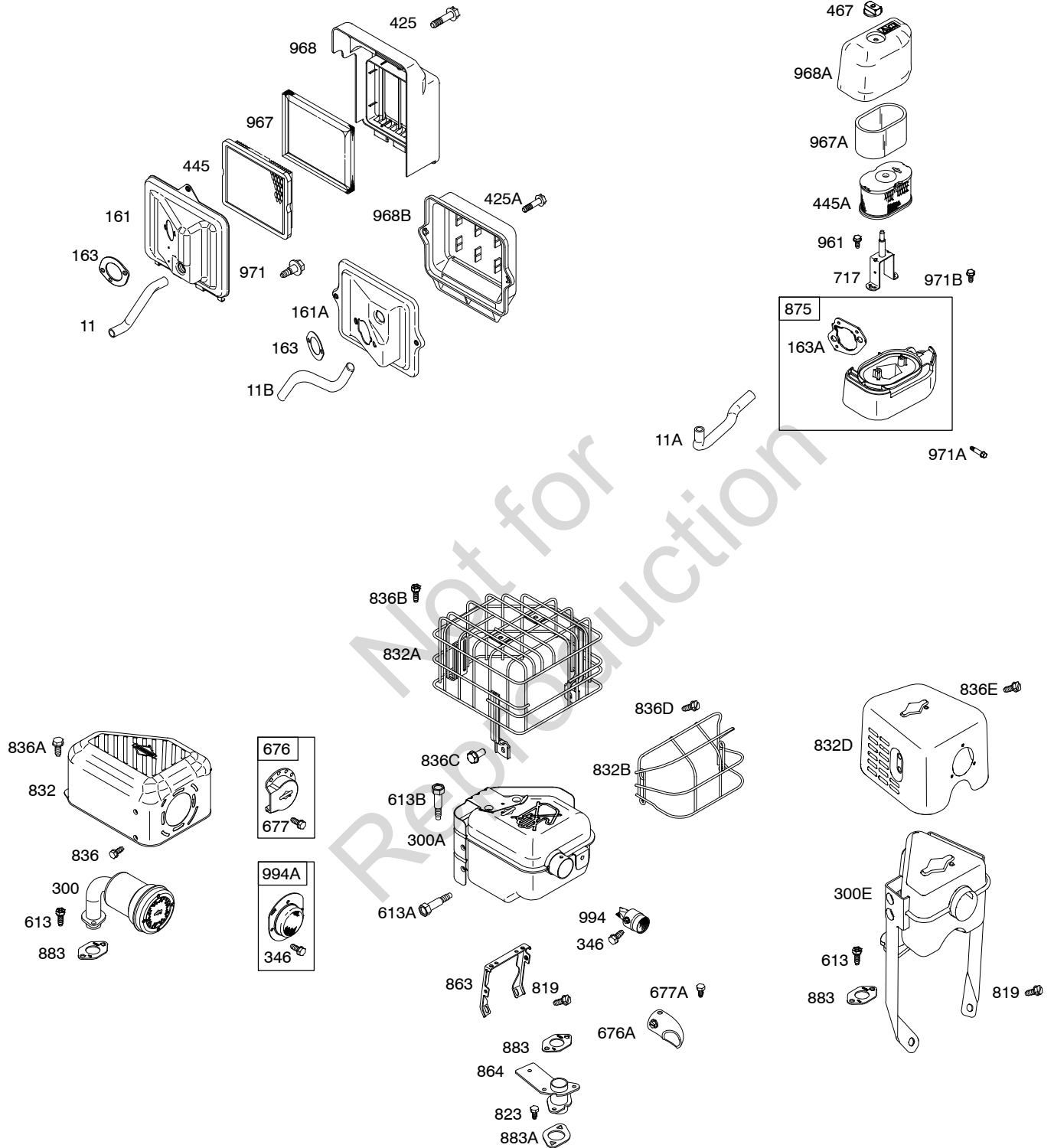
125D



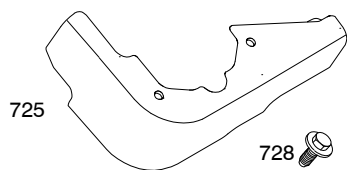
Illustrations cover a range of engines. Parts shown without corresponding text may not be used on your specific engine.



Illustrations cover a range of engines. Parts shown without corresponding text may not be used on your specific engine.
 3248-5 Assemblies include all parts shown in frames. 08/30/2010



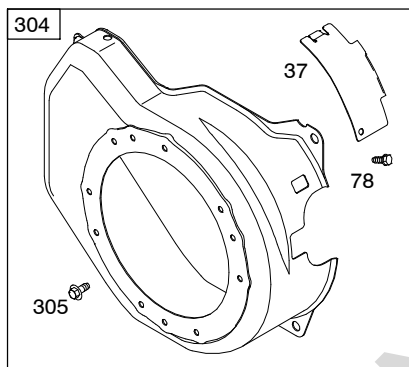
Illustrations cover a range of engines. Parts shown without corresponding text may not be used on your specific engine.
3248-6 Assemblies include all parts shown in frames. **08/30/2010**



728



732



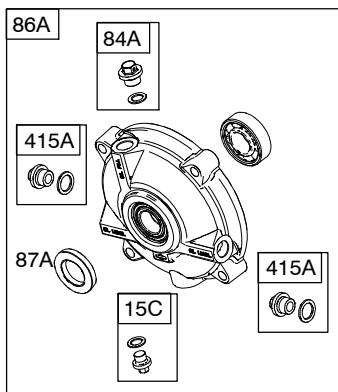
304

37

78

305

1036 EMISSIONS LABEL



86A



84A



415A



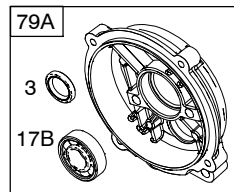
87A



15C



415A

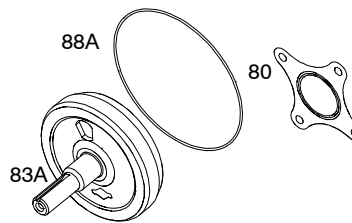


79A

3

17B

82B

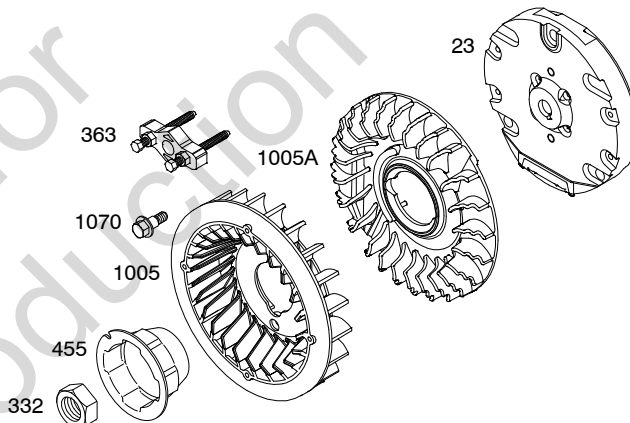


88A

80

83A

85A



363

1005A

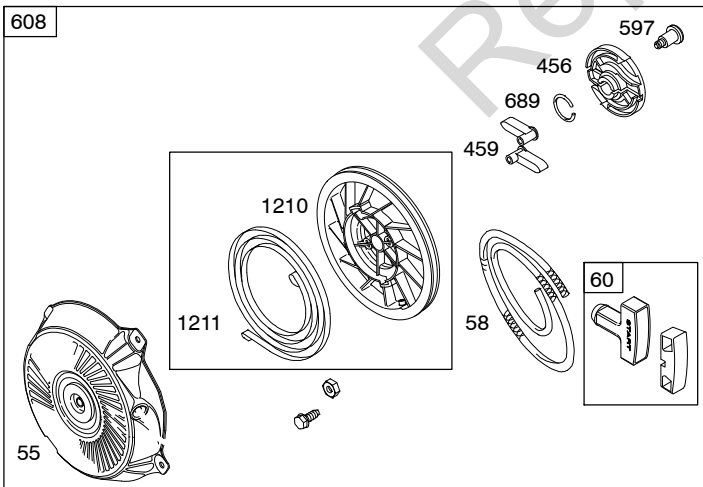
23

1070

1005

455

332



608

456

689

459

1210

1211

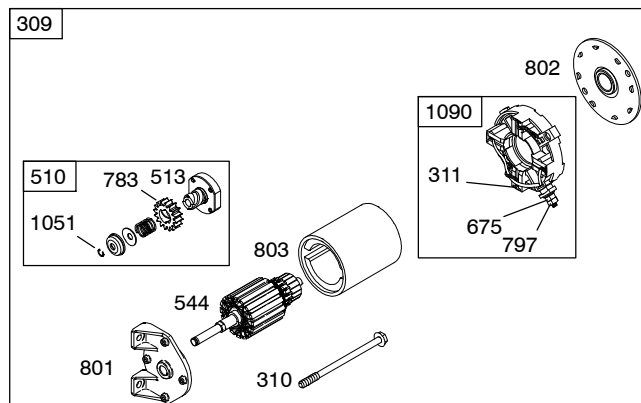
58

60

597

55

65



309

510

783

513

1051

801

697

544

803

310

1090

311

675

797

802

Illustrations cover a range of engines. Parts shown without corresponding text may not be used on your specific engine.

122000

REF. NO.	PART NO.	DESCRIPTION	REF. NO.	PART NO.	DESCRIPTION	REF. NO.	PART NO.	DESCRIPTION
1	699505	Cylinder Assembly	16	699445	Crankshaft	17	692517	Bearing-Ball
2	399269	Kit-Bushing/Seal (Magneto Side)			Used on Type No(s). 0115, 0118, 0126, 0127, 0138, 0139, 0157, 0394, 0496, 0520, 0523, 0570, 0783, 3783.	17B	99158	Bearing-Ball
3	*299819S	Seal-Oil (Magneto Side)			----- Note -----	18	699804	Cover-Crankcase Used on Type No(s). 0114, 0115, 0116, 0118, 0120, 0123, 0124, 0125, 0126, 0127, 0133, 0136, 0140, 0142, 0144, 0145, 0150, 0151, 0156, 0157, 0159, 0160, 0164, 0165, 0167, 0170, 0172, 0176, 0180, 0184, 0358, 0361, 0374, 0416, 0522, 0523, 0526, 0528, 0549, 0560, 0692.
5	797439	Head-Cylinder (Metric) (Used After Code Date 09061700).			699452 Crankshaft Used on Type No(s). 0358, 0416.			----- Note -----
		----- Note -----			699449 Crankshaft Used on Type No(s). 0361, 0374, 0522, 0692.			699696 Cover- Crankcase Used on Type No(s). 0138, 0139, 0394, 0496, 0520, 0783, 3783.
		699486 Head-Cylinder (SAE) (Used Before Code Date 09061800).			699451 Crankshaft Used on Type No(s). 0112, 0114, 0116, 0119, 0120, 0121, 0123, 0124, 0125, 0129, 0130, 0133, 0134, 0148, 0164, 0167, 0170, 0177, 0181, 0184, 0560, 0571.			
7	∅698210	Gasket-Cylinder Head			699443 Crankshaft Used on Type No(s). 0101, 0111, 0135, 0137, 0141, 0146, 0147, 0154, 0163, 0168, 0169, 0171, 0536, 0550.	18A	699672	Cover-Crankcase Used on Type No(s). 0101, 0111, 0112, 0119, 0121, 0129, 0130, 0134, 0135, 0137, 0141, 0146, 0147, 0148, 0154, 0161, 0162, 0163, 0166, 0168, 0169, 0171, 0177, 0181, 0533, 0535, 0536, 0550.
11	692600	Tube-Breather (Flat Panel Air Cleaner)			699447 Crankshaft Used on Type No(s). 0151, 0159, 0160, 0526.			18C 699677 Cover-Crankcase Used on Type No(s). 0570, 0571.
11A	693647	Tube-Breather (High Mount Air Cleaner)			792978 Crankshaft Used on Type No(s). 0136, 0140, 0528.			20 * 692550 Seal-Oil (PTO Side)
11B	790632	Tube-Breather (Ultra Low Air Cleaner)			699442 Crankshaft Used on Type No(s). 0161, 0166, 0533.			20B * 691952 Seal-Oil (PTO Side)
12	*699485	Gasket-Crankcase			699441 Crankshaft Used on Type No(s). 0162, 0535.			21 281658S Cap-Oil Fill
13	699482	Screw (Cylinder Head)			792883 Crankshaft Used on Type No(s). 0142, 0144, 0145, 0150, 0156, 0165, 0172, 0176, 0180, 0549.			22 699478 Screw (Crankcase Cover/ Sump)
15	691686	Plug-Oil Drain (Square Head)						
15A	691682	Plug-Oil Drain (Flush)						
15C	792750	Plug-Oil Drain						

* Included in Engine Gasket Set-Ref. No.358.

● Included in Carburetor Overhaul Kit-Ref. No. 121.

◆ Included in Carburetor Gasket Set-Ref. No. 977.

∅ Included in Valve Gasket Set-Ref. No 1095.

Illustrations cover a range of engines. Parts shown without corresponding text may not be used on your specific engine.

REF. NO.	PART NO.	DESCRIPTION	REF. NO.	PART NO.	DESCRIPTION	REF. NO.	PART NO.	DESCRIPTION
23	699488	Flywheel ----- Note ----- 699514 Flywheel Used on Type No(s). 0121, 0129, 0139, 0164, 0168, 0169, 0177, 0181, 0374, 0550.	45	690977	Tappet-Valve	51	692555	Gasket-Intake
24	222698S	Key-Flywheel	46	693404	Camshaft	59	490653	Grip-Insert
25	792004	Piston Assembly (Standard) ----- Note ----- 791325 Piston Assembly (.020" Oversize)	46A	694831	Camshaft Used on Type No(s). 0570. ----- Note ----- 695285 Camshaft Used on Type No(s). 0571.	60	490652	Grip-Starter Rope
26	791969	Ring Set (Standard) (Used After Code Date 05030800). ----- Note ----- 499631 Ring Set (Standard) (Used Before Code Date 05030900). 791324 Ring Set (.020" Oversize) (Used After Code Date 05030800). 692786 Ring Set (.020" Oversize) (Used Before Code Date 05030900).	55	791848	Housing-Rewind Starter (Used After Code Date 08030200). ----- Note ----- 691422 Housing- Rewind Starter (Used Before Code Date 08030300). (Rewind Starter Parts Used With 3MM Diameter Starter Rope) 791848 Housing- Rewind Starter (Used Before Code Date 08030300). (Rewind Starter Parts Used With 5MM Diameter Starter Rope)	65	699851	Screw (Rewind Starter) (Metric) ----- Note ----- 699228 Screw (Rewind Starter)(SAE)
27	691866	Lock-Piston Pin	58	693389	Rope-Starter (Used After Code Date 08030200). ----- Note ----- 693389 Rope-Starter (Used Before Code Date 08030300). (Rewind Starter Parts Used With 3MM Diameter Starter Rope)	78	699205	Screw (Flywheel Guard)
28	499423	Pin-Piston				79A	792746	Case-Gear Reduction
29	690124	Rod-Connecting				80	792755	Gasket-Gear Case
30	791584	Dipper-Connecting Rod				82B	792753	Screw (Gear Reduction Case)
32	691664	Screw (Connecting Rod)				83A	792756	Shaft-Auxiliary Drive
32A	695759	Screw (Connecting Rod)				84A	792759	Plug-Breather
33	499642	Valve-Exhaust				85A	690711	Screw (Gear Cover to Gear Reduction)
34	499641	Valve-Intake				86A	795647	Cover-Gear
35	691304	Spring-Valve (Intake)				87A	792752	Seal-Gear Reduction
36	691304	Spring-Valve (Exhaust)				88A	792760	Gasket-Gear Reduction Cover
37	699661	Guard-Flywheel				95	691636	Screw (Throttle Valve)
40	692194	Retainer-Valve				97	690024	Shaft-Throttle
						97C	797628	Shaft-Throttle
						98	398185	Kit-Idle Speed
						98C	797156	Kit-Idle Speed
						104	691242	Pin-Float Hinge
						104C	697622	Pin-Float Hinge
						105A	797139	Valve-Float Needle
						108	692567	Valve-Choke
						109	690023	Shaft-Choke
						109A	693628	Shaft-Choke
						109C	790624	Shaft-Choke

★ Included in Engine Gasket Set-Ref. No.358.

● Included in Carburetor Overhaul Kit-Ref. No. 121.

◆ Included in Carburetor Gasket Set-Ref. No. 977.

⊘ Included in Valve Gasket Set-Ref. No 1095.

Illustrations cover a range of engines. Parts shown without corresponding text may not be used on your specific engine.

122000

REF. NO.	PART NO.	DESCRIPTION	REF. NO.	PART NO.	DESCRIPTION	REF. NO.	PART NO.	DESCRIPTION									
117	690048	Jet–Main (Standard) (Used Before Code Date 10040100). ----- Note ----- 698344 Jet–Main (Standard) Used on Type No(s). 0111, 0116, 0123, 0125, 0137, 0138, 0139, 0140, 0141, 0142, 0148, 0156, 0162, 0163, 0165, 0167, 0168, 0169, 0170, 0176, 0394, 0496, 0783, 3783. 691428 Jet–Main (Standard) (Used Before Code Date 10100100). Used on Type No(s). 0159, 0160, 0526, 0533. 498975 Jet–Main (Standard) Used on Type No(s). 0151. 494870 Jet–Main (Standard) Used on Type No(s). 0161, 0166.	118	497315	Jet–Main (High Altitude) (Used Before Code Date 10040100). ----- Note ----- 691428 Jet–Main (High Altitude) Used on Type No(s). 0111, 0116, 0123, 0125, 0137, 0138, 0139, 0140, 0141, 0142, 0148, 0156, 0162, 0163, 0165, 0167, 0168, 0169, 0170, 0176, 0394, 0496, 0783, 3783. 695042 Jet–Main (High Altitude) (Used Before Code Date 10100100). Used on Type No(s). 0159, 0160, 0526, 0533. 496495 Jet–Main (High Altitude) Used on Type No(s). 0151. 497315 Jet–Main (High Altitude) Used on Type No(s). 0161, 0166.	121	792006	Kit–Carburetor Overhaul	121D	797634	Kit–Carburetor Overhaul	122	★795643	Spacer–Carburetor	125	698474	Carburetor (Used Before Code Date 10040100). ----- Note ----- 698475 Carburetor Used on Type No(s). 0111, 0116, 0123, 0125, 0137, 0138, 0139, 0140, 0141, 0142, 0148, 0156, 0162, 0163, 0165, 0167, 0168, 0169, 0170, 0176, 0394, 0496, 0783, 3783. 791991 Carburetor (Used Before Code Date 10100100). Used on Type No(s). 0159, 0160, 0526, 0533. 698860 Carburetor Used on Type No(s). 0151. 790243 Carburetor Used on Type No(s). 0161, 0166.
117D	798652	Jet–Main (Standard) (Used After Code Date 10033100). ----- Note ----- 798652 Jet–Main (Standard) (Used After Code Date 10093000). Used on Type No(s). 0159, 0160, 0526, 0533.	118D	798651	Jet–Main (High Altitude) (Used After Code Date 10033100). ----- Note ----- 798651 Jet–Main (High Altitude) (Used After Code Date 10093000). Used on Type No(s). 0159, 0160, 0526, 0533.	125D	798650	Carburetor (Used After Code Date 10033100). ----- Note ----- 798650 Carburetor (Used After Code Date 10093000). Used on Type No(s). 0159, 0160, 0526, 0533.									

★ Included in Engine Gasket Set–Ref. No.358.

● Included in Carburetor Overhaul Kit–Ref. No. 121.

◆ Included in Carburetor Gasket Set–Ref. No. 977.

⊗ Included in Valve Gasket Set–Ref. No 1095.

Illustrations cover a range of engines. Parts shown without corresponding text may not be used on your specific engine.

REF. NO.	PART NO.	DESCRIPTION	REF. NO.	PART NO.	DESCRIPTION	REF. NO.	PART NO.	DESCRIPTION
127	●691739	Plug–Welch	192	797440	Adjuster–Rocker Arm (Metric)	219	693578	Gear–Governor
127E	797633	Plug–Welch			(Used After Code Date 09061700).	220	691724	Washer (Governor Gear)
130	691181	Valve–Throttle			----- Note -----	222	699589	Bracket–Control (Used Before Code Date 06051500).
130A	691203	Valve–Throttle			694543 Adjuster–Rocker Arm (SAE)	222A	699591	Bracket–Control (Used Before Code Date 06051500).
130D	797630	Valve–Throttle			(Used Before Code Date 09061800).	222D	793107	Bracket–Control (Used After Code Date 06051400).
133	398187	Float–Carburetor	209	692571	Spring–Governor Used on Type No(s). 0101, 0111, 0112, 0114, 0118, 0119, 0121, 0126, 0129, 0130, 0134, 0136, 0137, 0138, 0139, 0140, 0141, 0142, 0144, 0145, 0150, 0151, 0154, 0156, 0157, 0161, 0162, 0163, 0165, 0166, 0167, 0170, 0171, 0172, 0176, 0177, 0180, 0181, 0358, 0361, 0374, 0394, 0416, 0496, 0520, 0522, 0528, 0536, 0549, 0550, 0692, 0783, 3783.	222E	793108	Bracket–Control (Used After Code Date 06051400).
133B	797136	Float–Carburetor			----- Note -----	222F	793100	Bracket–Control
134	●398188	Kit–Needle/Seat			698214 Plate–Cylinder Head (SAE)	227	692573	Lever–Governor Control
137	●693981	Gasket–Float Bowl			(Used Before Code Date 09061800).	238	691300	Valve–Cap
137C	●797625	Gasket–Float Bowl				240	394358S	Filter–Fuel
146	690979	Key–Timing				265	691024	Clamp–Casing
155	797442	Plate–Cylinder Head (Metric)				267	699492	Screw (Casing Clamp)
		(Used After Code Date 09061700).				268	691025	Casing–Control Wire (Cut to Required Length)
		----- Note -----				269	691026	Wire–Control (Cut to Required Length)
		698214 Plate–Cylinder Head (SAE)				270	691027	Nut (Control Wire Casing)
		(Used Before Code Date 09061800).				271	691028	Lever–Control
161	699207	Base–Air Cleaner (Flat Panel Air Cleaner)			693206 Spring–Governor	271A	694256	Lever–Control
161A	790631	Base–Air Cleaner (Ultra Low Air Cleaner)			Used on Type No(s). 0115, 0116, 0120, 0123, 0124, 0125, 0127, 0133, 0135, 0146, 0147, 0148, 0159, 0160, 0164, 0184, 0523, 0526, 0533, 0535, 0560, 0570, 0571.	271B	695743	Lever–Control
163★●696024		Gasket–Air Cleaner			693710 Spring–Governor	276	●271716	Washer–Sealing
163A★●792870		Gasket–Air Cleaner			Used on Type No(s). 0168, 0169.	276C	●797632	Washer–Sealing
170	699818	Stud (Crankcase Cover)	209A	691278	Spring–Governor	281	793122	Panel–Control
186	692317	Connector–Hose				286	794185	Module–Oil Sensor
187	791766	Line–Fuel (Cut to Required Length)				287	699629	Screw (Dipstick Tube)
187A	791867	Line–Fuel (Molded)				300	693593	Muffler
187B	791874	Line–Fuel (Molded)				300A	699231	Muffler
187C	791866	Line–Fuel (Molded)				300E	791595	Muffler
188	699479	Screw (Control Bracket)						
190	699220	Screw (Fuel Tank)						

★ Included in Engine Gasket Set–Ref. No.358.

● Included in Carburetor Overhaul Kit–Ref. No. 121.

◆ Included in Carburetor Gasket Set–Ref. No. 977.

⊘ Included in Valve Gasket Set–Ref. No 1095.

Illustrations cover a range of engines. Parts shown without corresponding text may not be used on your specific engine.

122000

REF. NO.	PART NO.	DESCRIPTION	REF. NO.	PART NO.	DESCRIPTION	REF. NO.	PART NO.	DESCRIPTION
304	699598	Housing-Blower	364	695693	Terminal-Oil Plug	501	691185	Regulator
305	699481	Screw (Blower Housing)	365	699484	Screw (Carburetor)	503	691532	Strap-Starter
306	693610	Shield-Cylinder	383	19374S	Wrench-Spark Plug	504	694254	Washer Set-Friction
307	699483	Screw (Cylinder Shield)	415	693463	Plug	505	691251	Nut (Governor Control Lever)
309	694504	Motor-Starter	415A	792749	Plug	510	499308	Drive-Starter
310	690323	Screw (Starter Motor)	425	699208	Screw (Air Cleaner Cover)	513	692024	Drive-Clutch
311	497608	Brush Set	425A	699492	Screw (Air Cleaner Cover)	522	697689	Plug-Dipstick/Fill
332	792723	Nut (Flywheel)	427	798458	Nut (Control Bracket) (Metric)	523	693618	Dipstick
333	695711	Armature-Magneto	----- Note -----			----- Note -----		
334	699477	Screw (Magneto Armature)	694255	Nut (Control Bracket) (SAE)	798469 Dipstick (Used After Code Date 10022100). Used on Type No(s). 0124, 0361, 0374, 0692.			
337	491055S	Plug-Spark (Resistor)	445	491588S				Filter-Air Cleaner Cartridge (Flat Panel)
		----- Note -----	445A	697029	Filter-Air Cleaner Cartridge (High Mount)	790546 Dipstick (Used Before Code Date 10022200). Used on Type No(s). 0124, 0361, 0374, 0692.		
		691043 Plug-Spark (EMS)	455	692591	Cup-Flywheel			
346	699203	Screw (Spark Arrestor) (Metric)	456	692299	Plate-Pawl Friction	524	281370S	Seal-Dipstick Tube
		----- Note -----	459	281505S	Pawl-Ratchet	526	690297	Screw (Regulator)
		690661 Screw (Spark Arrestor) (SAE)	467	691668	Knob-Air Cleaner	544	692966	Armature-Starter
347	697854	Switch-Rocker	474	793640	Alternator Used on Type No(s). 0374.	552	692346	Bushing-Governor Crank
		----- Note -----	----- Note -----			562	691119	Bolt (Governor Control Lever)
		698338 Switch-Rocker Used on Type No(s). 0148, 0150, 0151, 0172, 0526, 0528, 0533.	695730	Alternator Used on Type No(s). 0121, 0129, 0139, 0177, 0181.	564	699491	Screw (Control Cover)	
356	693651	Wire-Stop	791800	Alternator Used on Type No(s). 0169, 0550.	564A	699206	Screw (Control Cover)	
356A	692390	Wire-Stop	695466	Alternator Used on Type No(s). 0168.	577	690795	Cable-Starter	
356B	692602	Wire-Stop	493	691177	Bracket-Mounting	579	691029	Nut (Starter Cable)
356C	695630	Wire-Stop	500B	691086	Washer (Key Switch)	597	691696	Screw (Pawl Friction Plate)
356E	695814	Wire-Stop			601	791850	Clamp-Hose	
356F	697397	Wire-Stop			604	697326	Cover-Control	
357	691483	Key-Drive Pulley						
358	791797	Gasket Set-Engine						
361	691693	Screw (Starting Switch)						
363	19203	Puller-Flywheel						

★ Included in Engine Gasket Set-Ref. No.358.

● Included in Carburetor Overhaul Kit-Ref. No. 121.

◆ Included in Carburetor Gasket Set-Ref. No. 977.

⊘ Included in Valve Gasket Set-Ref. No 1095.

Illustrations cover a range of engines. Parts shown without corresponding text may not be used on your specific engine.

REF. NO.	PART NO.	DESCRIPTION	REF. NO.	PART NO.	DESCRIPTION	REF. NO.	PART NO.	DESCRIPTION
608	795930	Starter–Rewind (Used After Code Date 08030200). ----- Note ----- 693394 Starter–Rewind (Used Before Code Date 08030300). (Rewind Starter Parts Used With 3MM Diameter Starter Rope) 791670 Starter–Rewind (Used Before Code Date 08030300). (Rewind Starter Parts Used With 5MM Diameter Starter Rope)	635	692076	Boot–Spark Plug	802	691286	Cap–End
			635A	692927	Boot–Spark Plug	803	693757	Housing–Starter
			663	699206	Screw (Control Panel)	813	690635	Clamp
			664	691087	Nut (Key Switch)	819	699233	Screw (Muffler Bracket)
			668	694257	Spacer	823	699209	Screw (Muffler Adapter)
			675	691261	Washer (Brush Retainer)	830	797441	Stud–Rocker Arm (Metric) (Used After Code Date 09061700). ----- Note -----
			676	393757	Deflector–Muffler			694544 Stud–Rocker Arm (SAE) (Used Before Code Date 09061800).
			676A	697816	Deflector–Muffler			832 693583 Guard–Muffler
			677	699203	Screw (Muffler Deflector) (Metric) ----- Note ----- 690661 Screw (Muffler Deflector) (SAE)	832A	697818	Guard–Muffler
			677A	699776	Screw (Muffler Deflector)	832B	696516	Guard–Muffler
613	699209	Screw (Muffler)	689	691855	Spring–Friction	832D	796240	Guard–Muffler (Used After Code Date 08062400). ----- Note -----
613A	699481	Screw (Muffler)	692	690572	Spring–Detent			791600 Guard–Muffler (Used Before Code Date 08062500).
613B	799081	Screw (Muffler) (Metric) ----- Note ----- 697812 Screw (Muffler) (SAE)	692B	797624	Spring–Detent	835	797458	Bracket–Wire Harness
			697	793567	Screw (Starter Motor)	836	699203	Screw (Muffler Guard)
			717	693462	Bracket–Air Cleaner	836A	699632	Screw (Muffler Guard)
			718	690959	Pin–Locating	836B	699209	Screw (Muffler Guard)
			725	792874	Shield–Heat	836C	699234	Screw (Muffler Guard)
			727	698039	Cover–Starter Drive	836D	699204	Screw (Muffler Guard)
			728	699632	Screw (Heat Shield)	836E	699755	Screw (Muffler Guard)
			732	699200	Screw (Starter Drive Cover)	842	691031	Seal–O Ring (Dipstick Tube)
615	692576	Retainer–Governor Shaft	741	695087	Gear–Timing	843A	695588	Sleeve–Lever
616	692547	Crank–Governor	742	692564	Retainer–E Ring			
619	699481	Screw (Cylinder Head Plate)	746	790278	Gear–Idler			
621	692310	Switch–Stop	773	694258	Retainer			
632	693408	Spring/Link–Mechanical Governor	783	692353	Gear–Pinion			
633	◆ 693867	Seal–Choke/Throttle Shaft	789	797457	Harness–Wiring			
633A	◆ 691321	Seal–Choke/Throttle Shaft	797	691029	Nut (Brush Retainer)			
			799	699202	Screw (Oil Sensor)			
			801	694482	Cap–Drive			

★ Included in Engine Gasket Set–Ref. No.358.

● Included in Carburetor Overhaul Kit–Ref. No. 121.

◆ Included in Carburetor Gasket Set–Ref. No. 977.

⊘ Included in Valve Gasket Set–Ref. No 1095.

Illustrations cover a range of engines. Parts shown without corresponding text may not be used on your specific engine.

122000

REF. NO.	PART NO.	DESCRIPTION	REF. NO.	PART NO.	DESCRIPTION	REF. NO.	PART NO.	DESCRIPTION
847	693617	Dipstick/Tube Assembly ----- Note ----- 798468 Dipstick/Tube Assembly (Used After Code Date 10022100). Used on Type No(s). 0124, 0361, 0374, 0692. 790545 Dipstick/Tube Assembly (Used Before Code Date 10022200). Used on Type No(s). 0124, 0361, 0374, 0692.	914	699481	Screw (Rocker Cover) (Bottom)	968B	791082	Cover-Air Cleaner (Ultra Low Air Cleaner)
			914A	797444	Screw (Rocker Cover) (Top)(Metric) (Used After Code Date 09061700). ----- Note ----- 692557 Screw (Top)(SAE) (Used Before Code Date 09061800).	971	798649	Screw (Air Cleaner Base) (Metric) ----- Note ----- 690370 Screw (Air Cleaner Base) (SAE)
851	493880S	Terminal-Spark Plug	914B	797444	Screw (Rocker Cover) (Center)(Metric) (Used After Code Date 09061700). ----- Note ----- 697551 Screw (Rocker Cover) (Center)(SAE) (Used Before Code Date 09061800). 691656 Solenoid-Starter	971A	690349	Screw (Air Cleaner Base)
863	699229	Bracket-Muffler	920	691656	Solenoid-Starter	971B	699629	Screw (Air Cleaner Base)
864	699232	Adapter-Muffler	951	790630	Lever-Choke	972	694260	Tank-Fuel
868	★∅692044	Seal-Valve	957	792647	Cap-Fuel Tank (Fresh Start) ----- Note ----- 795027 Cap-Fuel Tank (Text Free)	975	493640	Bowl-Float
875	697030	Base-Air Cleaner (High Mount)	958	698180	Valve-Fuel Shut Off	975C	797631	Bowl-Float
883	★691893	Gasket-Exhaust	961	698304	Screw (Air Cleaner Bracket)	987B	797629	Seal-Throttle Shaft
883A	★692237	Gasket-Exhaust	967	493537S	Filter-Pre Cleaner (Flat Panel)	993	∅694088	Gasket-Cylinder Head Plate
892A	692318	Key-Switch	967A	273356S	Filter-Pre Cleaner (High Mount)	990A	691959	Key Set
			968	692584	Cover-Air Cleaner (Flat Panel Air Cleaner)	994	790153	Arrester-Spark
			968A	693460	Cover-Air Cleaner (High Mount)	994A	399541	Arrester-Spark
						1005	692592	Fan-Flywheel
						1005A	794273	Fan-Flywheel
						1019	694852	Kit-Label
						1022	★∅691890	Gasket-Rocker Cover
						1023	499924	Cover-Rocker Arm
						1026	790287	Rod-Push
						1029	797443	Arm-Rocker (Metric) (Used After Code Date 09061700). ----- Note ----- 691230 Arm-Rocker (SAE) (Used Before Code Date 09061800).
						1034	691343	Guide-Push Rod
						1036		Label-Emissions (Available From An Authorized Briggs & Stratton Service Dealer)

★ Included in Engine Gasket Set-Ref. No.358.

● Included in Carburetor Overhaul Kit-Ref. No. 121.

◆ Included in Carburetor Gasket Set-Ref. No. 977.

∅ Included in Valve Gasket Set-Ref. No 1095.

Illustrations cover a range of engines. Parts shown without corresponding text may not be used on your specific engine.

REF. NO.	PART NO.	DESCRIPTION	REF. NO.	PART NO.	DESCRIPTION	REF. NO.	PART NO.	DESCRIPTION
1051	691265	Ring-Retaining	1211	791849	Pulley/Spring Assembly	1305	699691	Screw (Oil Sensor Module)
1052	790141	Sensor-Oil			(Spring)	1319	794467	Label-Warning
1058	277040	Operator's Manual			(Used After Code Date 08030200).	1330	272147	Repair Manual
1070	699201	Screw (Flywheel Fan)			----- Note -----			
1090	691293	Retainer-Brush			498144 Pulley/Spring Assembly (Spring)			
1095	791798	Gasket Set-Valve			(Used Before Code Date 08030300). (Rewind Starter Parts Used With 3MM Diameter Starter Rope)			
1119	699772	Screw (Alternator)			791849 Pulley/Spring Assembly (Spring)			
1210	791849	Pulley/Spring Assembly (Pulley) (Used After Code Date 08030200). ----- Note -----			(Used Before Code Date 08030300). (Rewind Starter Parts Used With 5MM Diameter Starter Rope)			
		498144 Pulley/Spring Assembly (Pulley) (Used Before Code Date 08030300). (Rewind Starter Parts Used With 3MM Diameter Starter Rope)						
		791849 Pulley/Spring Assembly (Pulley) (Used Before Code Date 08030300). (Rewind Starter Parts Used With 5MM Diameter Starter Rope)						

★ Included in Engine Gasket Set-Ref. No.358.

● Included in Carburetor Overhaul Kit-Ref. No. 121.

◆ Included in Carburetor Gasket Set-Ref. No. 977.

∅ Included in Valve Gasket Set-Ref. No 1095.

Illustrations cover a range of engines. Parts shown without corresponding text may not be used on your specific engine.

Not for
Reproduction

